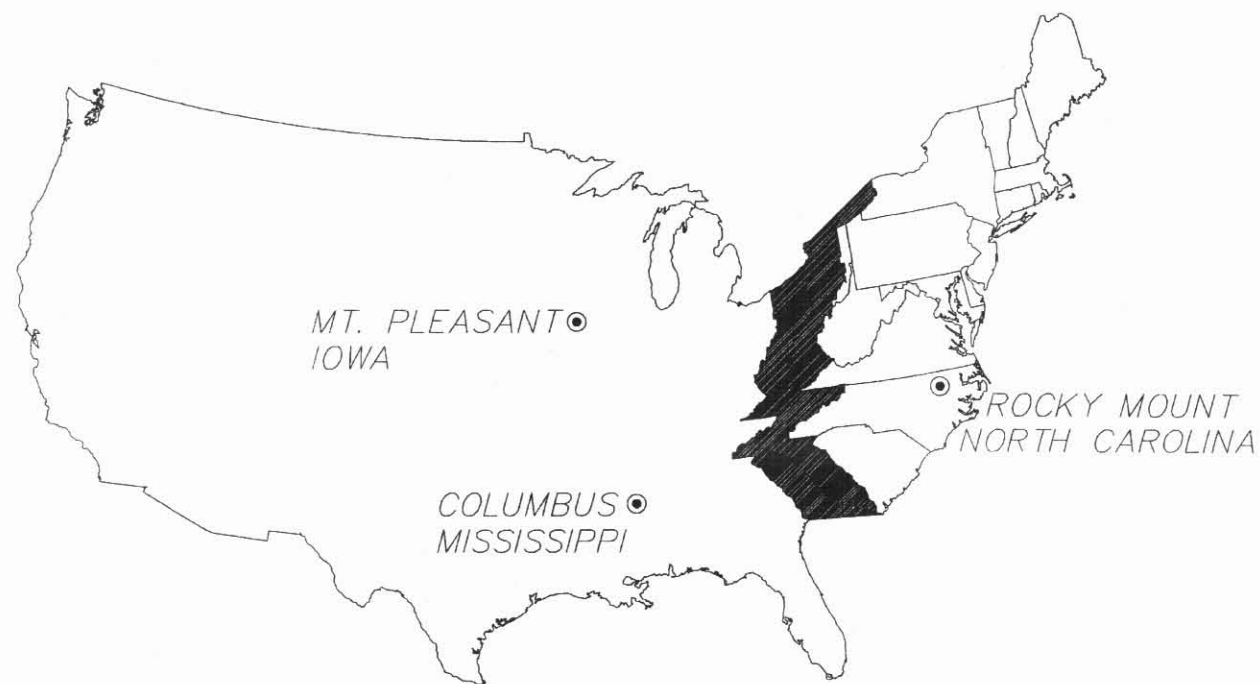


DRAWING INDEX

- E1 \_\_\_\_\_ COVER SHEET
- B1, R1-R5 \_\_\_\_\_ ANCHOR BOLT PLAN & REACTIONS  
(SENT UNDER ANOTHER COVER)
- E2 \_\_\_\_\_ ROOF FRAMING PLAN
- E3 \_\_\_\_\_ SIDEWALL ELEVATIONS
- E4 \_\_\_\_\_ ENDWALL ELEVATIONS
- N/A \_\_\_\_\_ MEZZANINE LAYOUT
- E5-E8 \_\_\_\_\_ CROSS SECTIONS
- E9-E10 \_\_\_\_\_ PANEL & FLASHING LAYOUTS
- E11-E13 \_\_\_\_\_ GENERAL DETAILS
- \_\_\_\_\_ OTHER



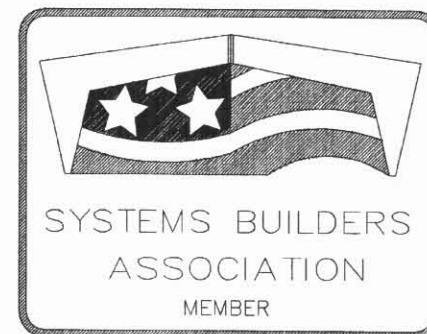
**YOUR QUALITY BUILT PRE-ENGINEERED  
BUILDING SYSTEM FROM THE  
CONSTRUCTION PROFESSIONALS**

DESIGN LOADING

THIS STRUCTURE IS DESIGNED UTILIZING THE LOADS INDICATED AND APPLIED AS REQUIRED BY THE 1999 EDITION OF THE BOCA NATIONAL BUILDING CODE. THE CONTRACTOR IS TO CONFIRM THAT THESE LOADS COMPLY WITH THE REQUIREMENTS OF THE LOCAL BUILDING DEPARTMENT.  
SPECIFIC LOADS: (SEE STRUCTURAL CALCULATIONS AND FOUNDATION REACTIONS)

- 22 \_\_\_\_\_ PSF ROOF LIVE LOAD
- 40 \_\_\_\_\_ PSF GROUND SNOW LOAD
- 70 \_\_\_\_\_ WIND SPEED (MPH)      WIND EXPOSURE B
- 2.3 \_\_\_\_\_ PSF DEAD LOAD (ROOF PANELS AND PURLINS)
- 3 \_\_\_\_\_ PSF COLLATERAL LOAD
- SEISMIC ZONE \_\_\_\_\_ ( $A_a = 0.05$      $A_v = 0.05$  \_\_\_\_\_)
- N/A \_\_\_\_\_ CRANE CAPACITY (TONS)
- N/A \_\_\_\_\_ MAXIMUM WHEEL LOAD (BEFORE IMPACT)
- N/A \_\_\_\_\_ WHEEL SPACING, CMAA CRANE CLASS. = N/A
- N/A \_\_\_\_\_ MEZZANINE TOTAL LOAD
- N/A \_\_\_\_\_ MEZZANINE LIVE LOAD
- N/A \_\_\_\_\_ MEZZANINE DEAD LOAD

NOTES: \_\_\_\_\_  
\_\_\_\_\_  
\_\_\_\_\_



CONTRACTOR RESPONSIBILITIES

THE CONTRACTOR MUST SECURE ALL REQUIRED APPROVALS AND PERMITS FROM THE APPROPRIATE AGENCY AS REQUIRED.  
APPROVAL OF CECO BUILDING SYSTEMS DRAWINGS AND CALCULATIONS INDICATE THAT CECO HAS CORRECTLY INTERPRETED AND APPLIED THE REQUIREMENTS OF THE CONTRACT DRAWINGS AND SPECIFICATIONS. (SEC. 4.2.1 AISC CODE OF STANDARD PRACTICE, 9th ED.)  
WHERE DISCREPANCIES EXIST BETWEEN CECO STRUCTURAL STEEL PLANS AND THE PLANS FOR OTHER TRADES, THE STRUCTURAL STEEL PLANS SHALL GOVERN (SEC. 3.3 AISC CODE OF STANDARD PRACTICE, 9th ED.)  
DESIGN CONSIDERATIONS OF ANY MATERIALS IN THE STRUCTURE WHICH ARE NOT FURNISHED BY CECO ARE THE RESPONSIBILITY OF THE CONTRACTOR AND ENGINEERS OTHER THAN CECO ENGINEERING UNLESS SPECIFICALLY INDICATED.  
THE CONTRACTOR IS RESPONSIBLE FOR ALL ERECTION OF STEEL AND ASSOCIATED WORK IN COMPLIANCE WITH CECO "FOR CONSTRUCTION" DRAWINGS.  
TEMPORARY SUPPORTS, SUCH AS TEMPORARY GUYS, BRACES, FALSEWORK OR OTHER ELEMENTS REQUIRED FOR ERECTION WILL BE DETERMINED AND FURNISHED AND INSTALLED BY THE ERECTOR. (SEC 7.9.1 AISC CODE OF STANDARDS, 9th ED.)  
IT IS THE CONTRACTORS RESPONSIBILITY TO APPLY OR OBSERVE ALL PERTINENT SAFETY RULES AND REGULATIONS, AND PER OSHA STANDARDS AS APPLICABLE.  
THE CONTRACTOR IS RESPONSIBLE FOR VERIFICATION OF ALL SHIPMENTS RECEIVED. SHORTAGES MUST BE REPORTED TO CECO BUILDING SYSTEMS WITHIN 48 HOURS OF DELIVERY. SHOP AND FIELD INSPECTIONS AND ASSOCIATED FEES ARE THE RESPONSIBILITY OF THE CONTRACTOR, UNLESS STIPULATED OTHERWISE.

**FROM: AISC CODE OF STANDARD PRACTICE - 7.12 CORRECTION OF ERRORS:**  
**'NORMAL ERECTION OPERATIONS INCLUDE THE CORRECTION OF MINOR MISFITS BY MODERATE AMOUNTS OF REAMING, CHIPPING, WELDING OR CUTTING AND THE DRAWING OF ELEMENTS INTO LINE THROUGH THE USE OF DRIFT PINS. ERRORS WHICH CANNOT BE CORRECTED BY THE FORE-GOING MEANS OR WHICH REQUIRE MAJOR CHANGES IN MEMBER CONFIGURATION ARE REPORTED IMMEDIATELY TO THE OWNER AND FABRICATOR BY THE ERECTOR, TO ENABLE WHOEVER IS RESPONSIBLE EITHER TO CORRECT THE ERROR OR TO APPROVE THE MOST EFFICIENT AND ECONOMIC METHOD OF CORRECTION TO BE USED BY OTHERS.'**  
**FOR QUESTIONS OR ASSISTANCE CONCERNING ERECTION OF CECO BUILDINGS CALL:**  
**OUR FIELD SERVICES GROUP • 252-407-1932**

REV.	DESCRIPTION	DET.	DATE	CHK.	DATE



**CECO BUILDING SYSTEMS**  
a Robertson Ceco company  
EASTERN REGION  
P.O. DRAWER 2387  
ROCKY MOUNT, NC. 27802-2387  
PHONE (252) 977-2131  
FAX (800) 888-9489

THESE DRAWINGS ARE FOR

- FINAL CONSTRUCTION DRAWINGS
- PRELIMINARY DRAWINGS - DO NOT USE FOR CONSTRUCTION
- APPROVAL DRAWINGS - DO NOT USE FOR CONSTRUCTION
- RELEASED FOR PERMIT PURPOSES PRIOR TO COMPLETION OF FINAL CONSTRUCTION DRAWINGS - DO NOT USE FOR CONSTRUCTION
- OTHER

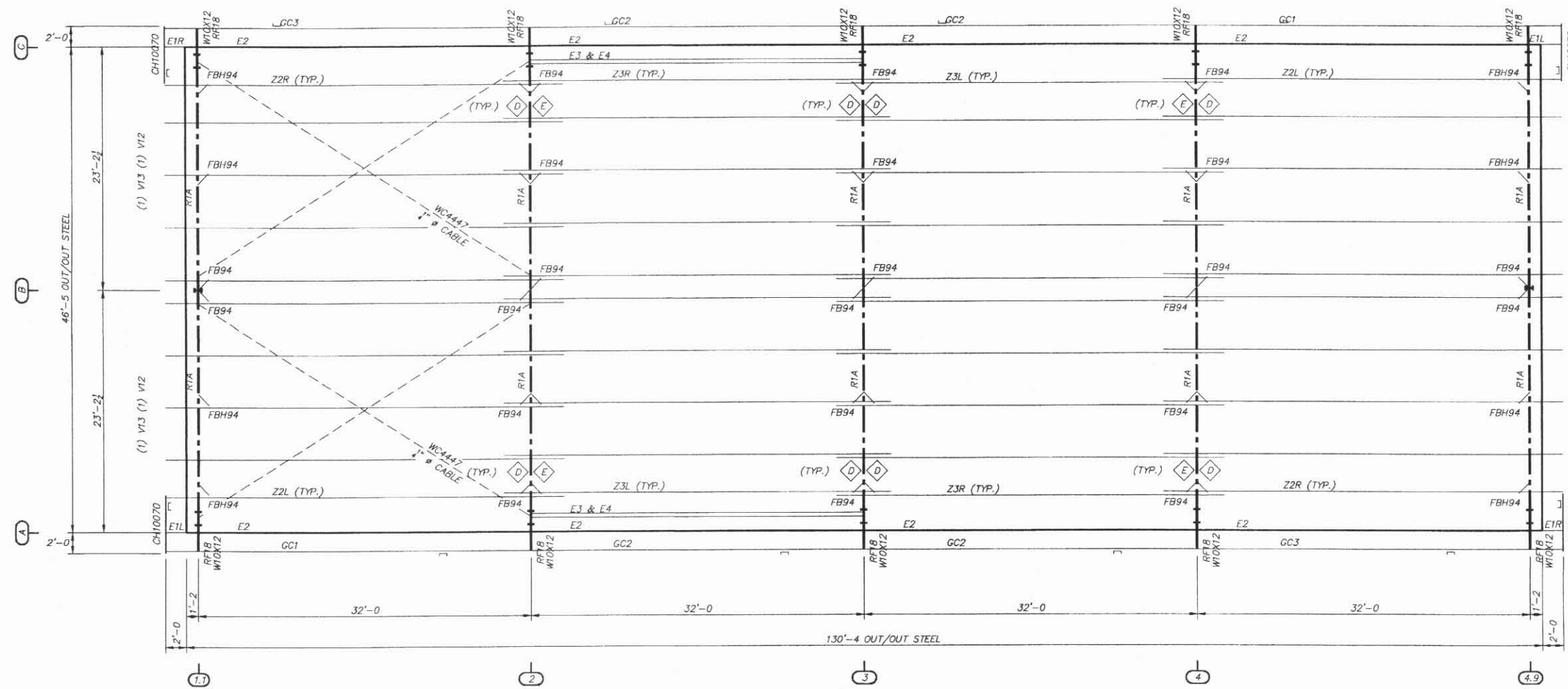
**Preliminary Drawing  
NOT TO BE USED FOR CONSTRUCTION**

<b>APPROVAL DRAWINGS</b>	
MARK ONE BOX, SIGN & DATE BELOW.	
<input type="checkbox"/>	APPROVED (NO CHANGES)
<input type="checkbox"/>	APPROVED (AS NOTED)
<input type="checkbox"/>	RESUBMIT (W/ CHANGES)
Signed _____	Date _____
APPROVAL ORDERS MUST BE RELEASED FOR FABRICATION WITHIN THIRTY (30) DAYS AFTER THE SUBMITTAL DRAWINGS ARE ISSUED, OR THEY WILL BE SUBJECT TO ANY CURRENT PRICE INCREASES.	
DRAWINGS ISSUED DATE: <b>OCT 21 2002</b>	

DRAWN	DATE	CUSTOMER	SHIP TO	JOB NO.
WKB	10-21-02	CLARK O YODER INC	ACTION MINING	10-B-45725-1
CHECKED	DATE	521 GLADE CITY ROAD	TIPTON HILL ROAD	
WKB	10-21-02	MEYERSDALE, PA 15552	BOYNTON, PA 15532	
ENGINEER	DATE	ATTN: CLARK YODER		SHEET NO.
Jms	10/21/02			E1 of 13

**BUILDING 1 NOTES**

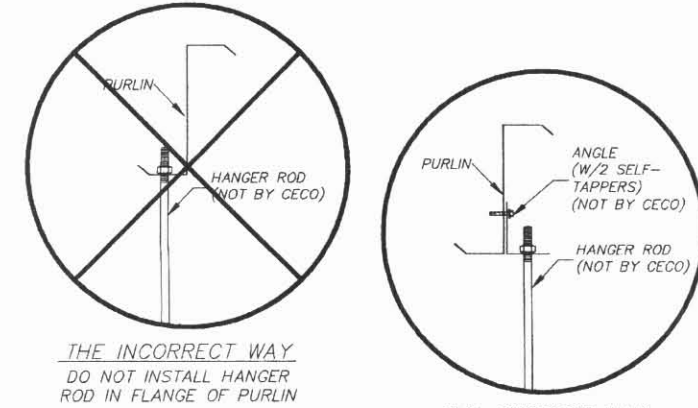
CL201- ANTI-ROLL CUP  
CONNECTED TO ALL PEAK  
PURLINS AT EVERY FRAME.



**ROOF FRAMING PLAN**

**NOTE:**  
CECO BUILDING SYSTEMS HAS SUPPLIED THE DRAINAGE DOWNSPOUTS, FOR THIS PROJECT, BASED ON A MAXIMUM VOLUME PER DOWNSPOUT OF 3,000 SQ. FT. OF ROOF AREA. WE HAVE NOTED, ON THE PANEL AND FLASHING LAYOUTS, THE NUMBER OF DOWNSPOUTS REQUIRED PER SIDEWALL. IT IS THE ERECTOR'S RESPONSIBILITY TO LOCATE THE DOWNSPOUTS TO ENSURE NO MORE THAN THE MAXIMUM VOLUME FLOWS THROUGH ANY ONE DOWNSPOUT. FAILURE TO DO THIS COULD RESULT IN INADEQUATE GUTTER DRAINAGE.

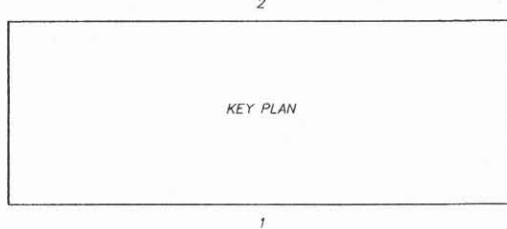
**SF27 SUGGESTED METHOD FOR CONNECTION OF LIGHT LOADS TO PURLINS**



**THE INCORRECT WAY**  
DO NOT INSTALL HANGER ROD IN FLANGE OF PURLIN

**THE CORRECT WAY**  
AN ANGLE IS SELF-TAPPED TO THE WEB OF THE PURLIN TO SUPPORT HANGER ROD

MAXIMUM HANGER LOAD MAY NOT EXCEED 150 LBS. HANGERS MUST BE LOCATED SUCH THAT THE SPECIFIED UNIFORM COLLATERAL LOAD IS NOT EXCEEDED.



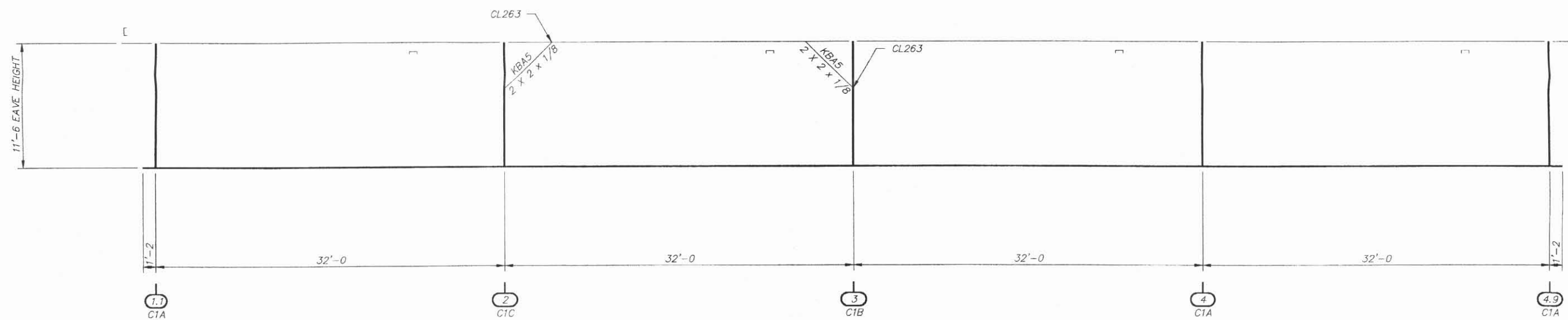
Z-SECTION LAP TABLE			
SYMBOL	LAP (LENGTH)	SYMBOL	LAP (LENGTH)
⬠	1'-0 (1'-1)	⬠	2'-6 (2'-7)
⬠	1'-6 (1'-7)	⬠	3'-0 (3'-2)
⬠	2'-0 (2'-1)	⬠	3'-6 (3'-7)

REV.	DESCRIPTION	DET.	DATE	CHK.	DATE



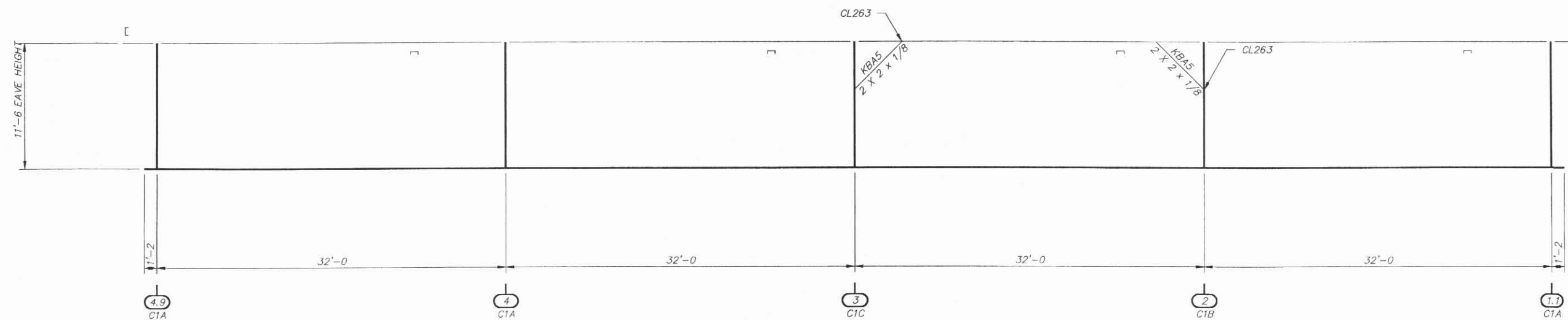
DRAWN WKB	DATE 10-18-02	<b>Ceco Building Systems</b> a Robertson Ceco company	EASTERN REGION P.O. DRAWER 2387 ROCKY MOUNT, NC 27802-2387 (252) 977-2131	JOB NO. 10-B-45725-1
CHECKED WKB	DATE 10-21-02		CUSTOMER: CLARK O YODER INC 521 GLADE CITY ROAD MEYERSDALE, PA 15552 ATTN: CLARK YODER	MEMBER <b>MBMA</b>
ENGINEER Jms	DATE 10/21/02	SHIP TO: ACTION MINING TIPTON HILL ROAD BOYNTON, PA 15532	REV. NO. SHEET NO. A E2 of 13	
SCALE "N1S"				

CL292- FASTENS BETWEEN THE GIRTS ON EACH SIDE OF THE SIDEWALL COLUMNS, AT ALL GIRT ELEVATIONS.

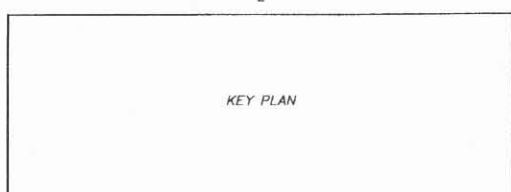


SIDEWALL ELEVATION "1" AT GRID LINE "A"

CL292- FASTENS BETWEEN THE GIRTS ON EACH SIDE OF THE SIDEWALL COLUMNS, AT ALL GIRT ELEVATIONS.



SIDEWALL ELEVATION "2" AT GRID LINE "C"



REV.	DESCRIPTION	DET.	DATE	CHK.	DATE
△					
△					
△					
△					



DRAWN	DATE
WKB	10-18-02
CHECKED	DATE
WKB	10-21-02
ENGINEER	DATE
Jms	10/21/02
SCALE	"N/S"

**Ceco Building Systems**  
a Robertson Cecco company

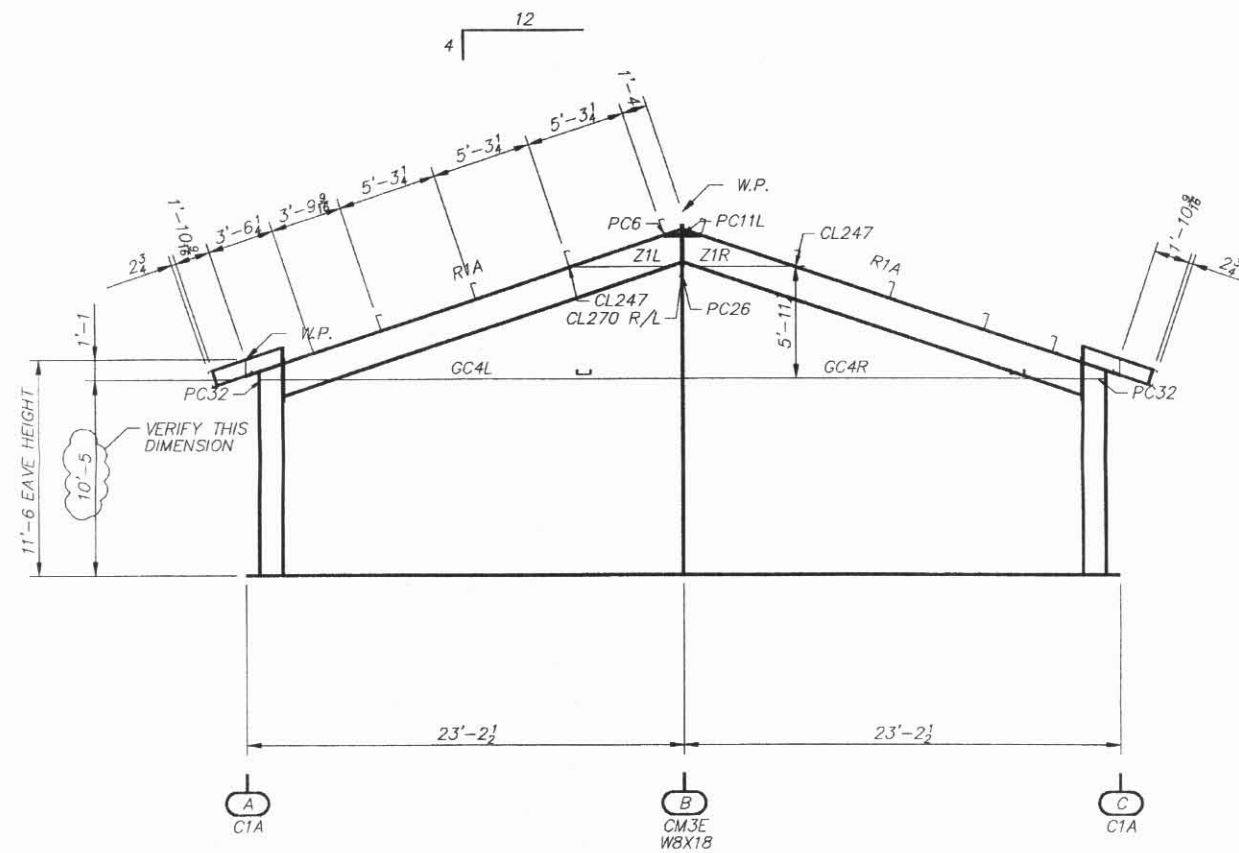
**CUSTOMER:**  
CLARK O YODER INC  
521 GLADE CITY ROAD  
MEYERSDALE, PA 15552  
ATTN: CLARK YODER

**SHIP TO:**  
ACTION MINING  
TRIPTON HILL ROAD  
BOYNTON, PA 15532

**EASTERN REGION**  
P.O. DRAWER 2387  
ROCKY MOUNT, NC 27802-2387  
(252) 977-2131

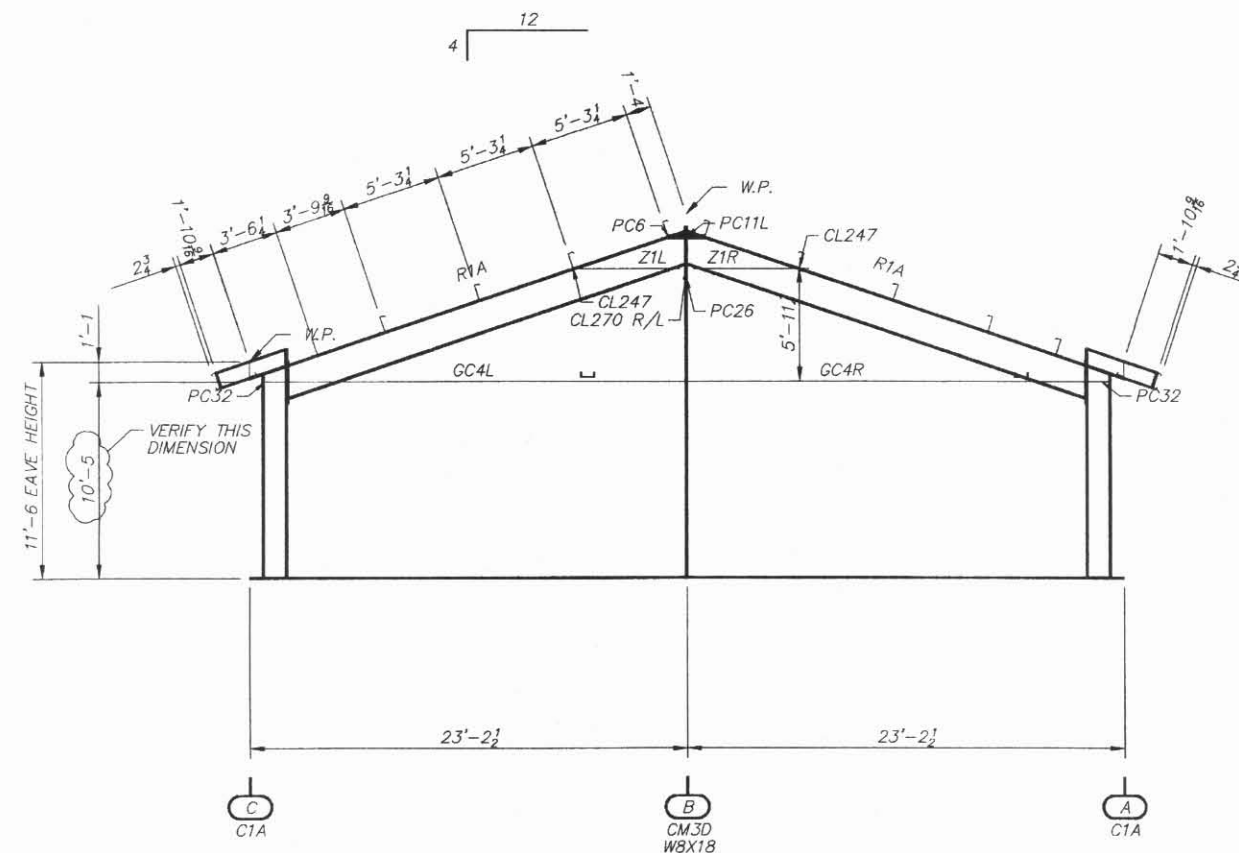
JOB NO.	10-B-45725-1
MEMBER	<b>MBMA</b>
REV. NO. SHEET NO.	A E3 of 13

CL207 - FASTENS BETWEEN THE GIRTS ON EACH SIDE OF THE ENDWALL COLUMNS, AT ALL GIRT ELEVATIONS.

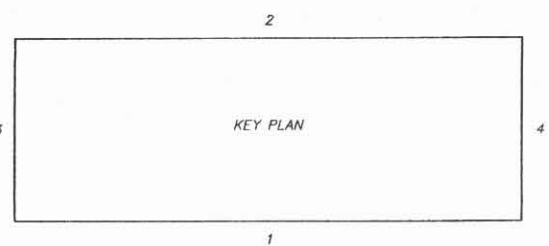


ENDWALL ELEVATION "4" AT GRID LINE "4.9"

CL207 - FASTENS BETWEEN THE GIRTS ON EACH SIDE OF THE ENDWALL COLUMNS, AT ALL GIRT ELEVATIONS.



ENDWALL ELEVATION "3" AT GRID LINE "1.1"

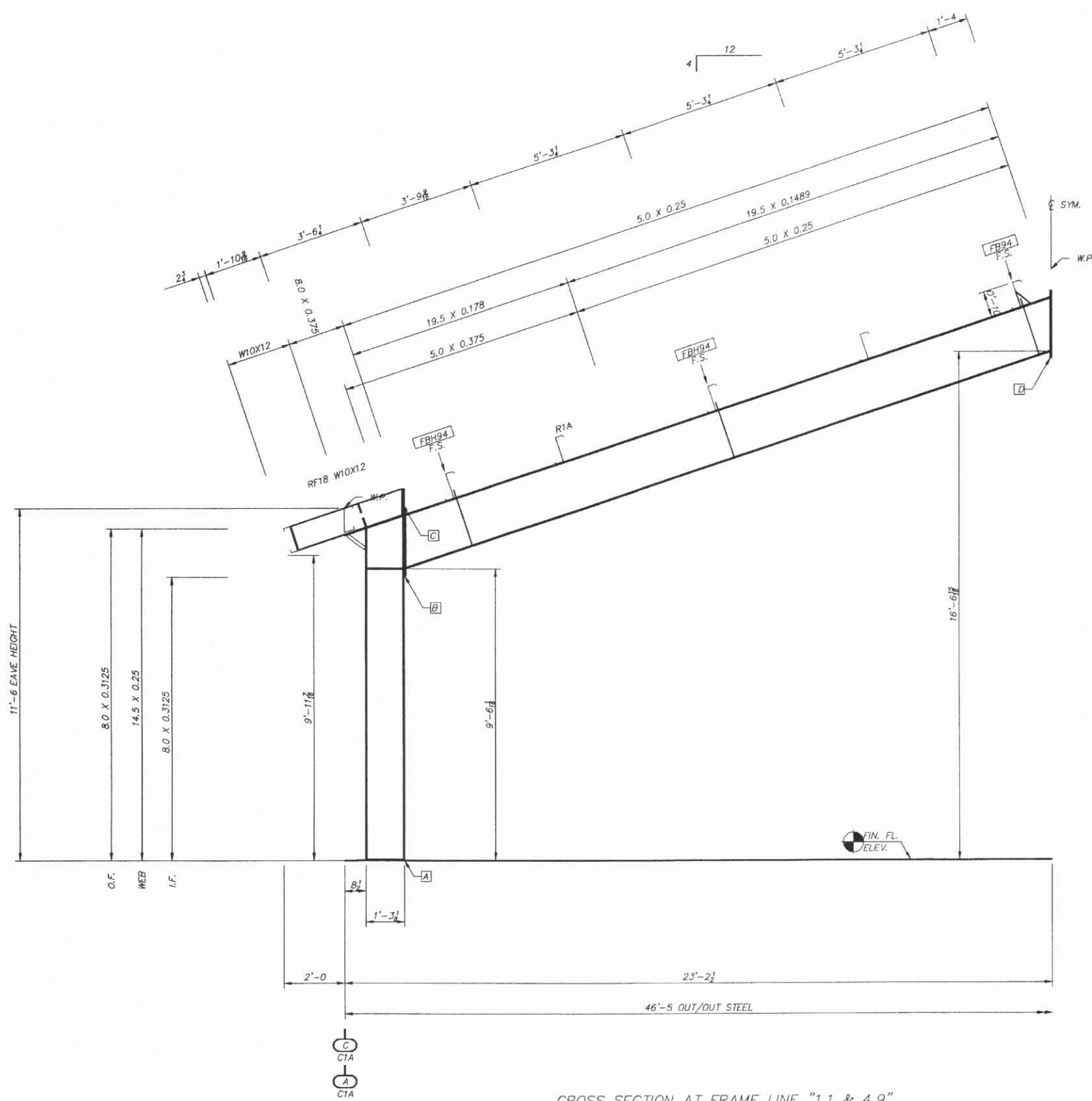


REV.	DESCRIPTION	DET.	DATE	CHK.	DATE



DRAWN WKB	DATE 10-18-02	<p><b>Ceco Building Systems</b> a Robertson Ceco company</p>	EASTERN REGION P.O. DRAWER 2387 ROCKY MOUNT, NC 27802-2387 (252) 977-2131	JOB NO. 10-B-45725-1
CHECKED WKB	DATE 10-21-02		CUSTOMER: CLARK O YODER INC 521 GLADE CITY ROAD MEYERSDALE, PA 15552 ATTN: CLARK YODER	SHIP TO: ACTION MINING TIPTON HILL ROAD BOYNTON, PA 15532
ENGINEER Jms	DATE 10/21/02	SCALE "NTS"	REV. NO. SHEET NO. A E4 of 1.3	

GENERAL NOTES  
 FRAME CLEARANCES SHOWN ARE APPROXIMATE AND  
 MAY VARY DUE TO CONDITIONS (DEFLECTION).  
 VERTICAL CLEARANCE DIMENSIONS ARE FROM  
 FINISHED FLOOR REFERENCE ELEVATION.



CROSS SECTION AT FRAME LINE "1.1 & 4.9"

CONN.	PLATE SIZE TABLE		SPLICE BOLT TABLE			
	LOW SIDE	HIGH SIDE	QTY.	SIZE	TYPE	HARDENED BEVELED WASHERS
A	8 X 0.375 X 1'-3 1/4"					
B	8 X 0.5 X 2'-10 1/2"	6 X 0.5 X 2'-2 1/2"	(10)	3/4 X 2	A325 B&N	0 0
C	6 X 0.25 X 6		(2)	3/4 X 2	A325 B&N	0 0
D	6 X 0.375 X 2'-2"		(8)	3/4 X 2	A325 B&N	0 0

REV.	DESCRIPTION	DET.	DATE	CHK.	DATE



DRAWN	DATE
WKB	10-18-02
CHECKED	DATE
WKB	10-21-02
ENGINEER	DATE
JMS	10/21/02
SCALE "NTS"	

**Ceco Building Systems**  
 a Robertson Ceco company

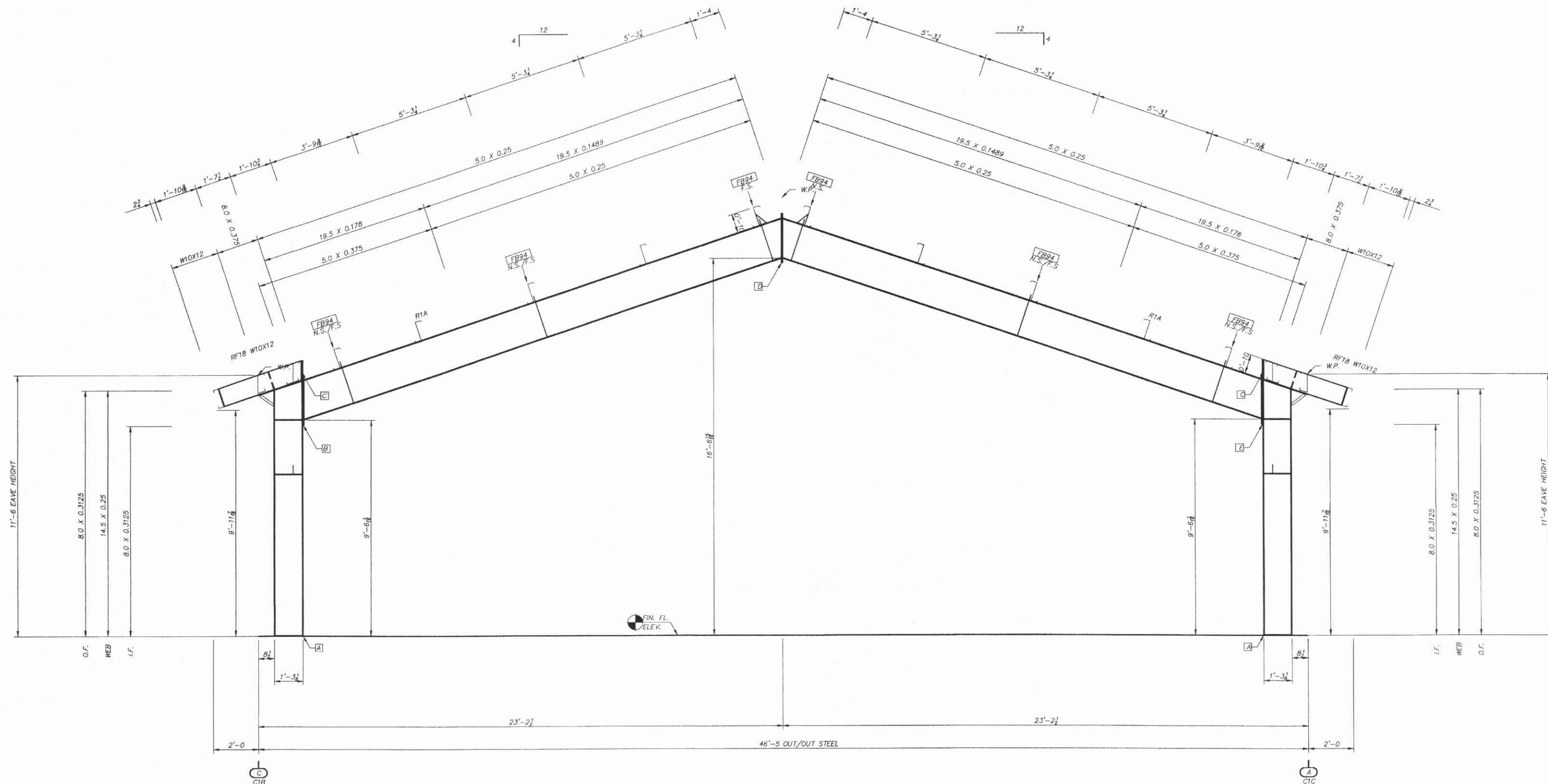
EASTERN REGION  
 P.O. DRAWER 2387  
 ROCKY MOUNT, NC 27802-2387  
 (252) 977-2131

CUSTOMER:  
 CLARK O YODER INC  
 521 GLADE CITY ROAD  
 MEYERSDALE, PA 15552  
 ATTN: CLARK YODER

SHIP TO:  
 ACTION MINING  
 TIPTON HILL ROAD  
 BOYNTON, PA 15532

JOB NO.	10-B-45725-1
MEMBER	MBMA
REV. NO. SHEET NO.	1 E5 of 13

GENERAL NOTES  
 FRAME CLEARANCES SHOWN ARE APPROXIMATE AND  
 MAY VARY DUE TO CONDITIONS (DEFLECTION).  
 VERTICAL CLEARANCE DIMENSIONS ARE FROM  
 FINISHED FLOOR REFERENCE ELEVATION.



CROSS SECTION AT FRAME LINE "2"

PLATE SIZE TABLE			SPlice BOLT TABLE				
CONN.	LOW SIDE	HIGH SIDE	QTY.	SIZE	TYPE	HARDENED WASHERS	BEVELED WASHERS
A	8 X 0.375 X 1'-3 1/2"		(10)	3/4 X 2	A325 B&N	0	0
B	8 X 0.5 X 2'-10 1/2"	6 X 0.5 X 2'-2 1/2"	(2)	3/4 X 2	A325 B&N	0	0
C	6 X 0.25 X 6		(8)	3/4 X 2	A325 B&N	0	0
D	6 X 0.375 X 2'-2	6 X 0.375 X 2'-2	(10)	3/4 X 2	A325 B&N	0	0
E	6 X 0.5 X 2'-2 1/2"	8 X 0.5 X 2'-10 1/2"	(10)	3/4 X 2	A325 B&N	0	0

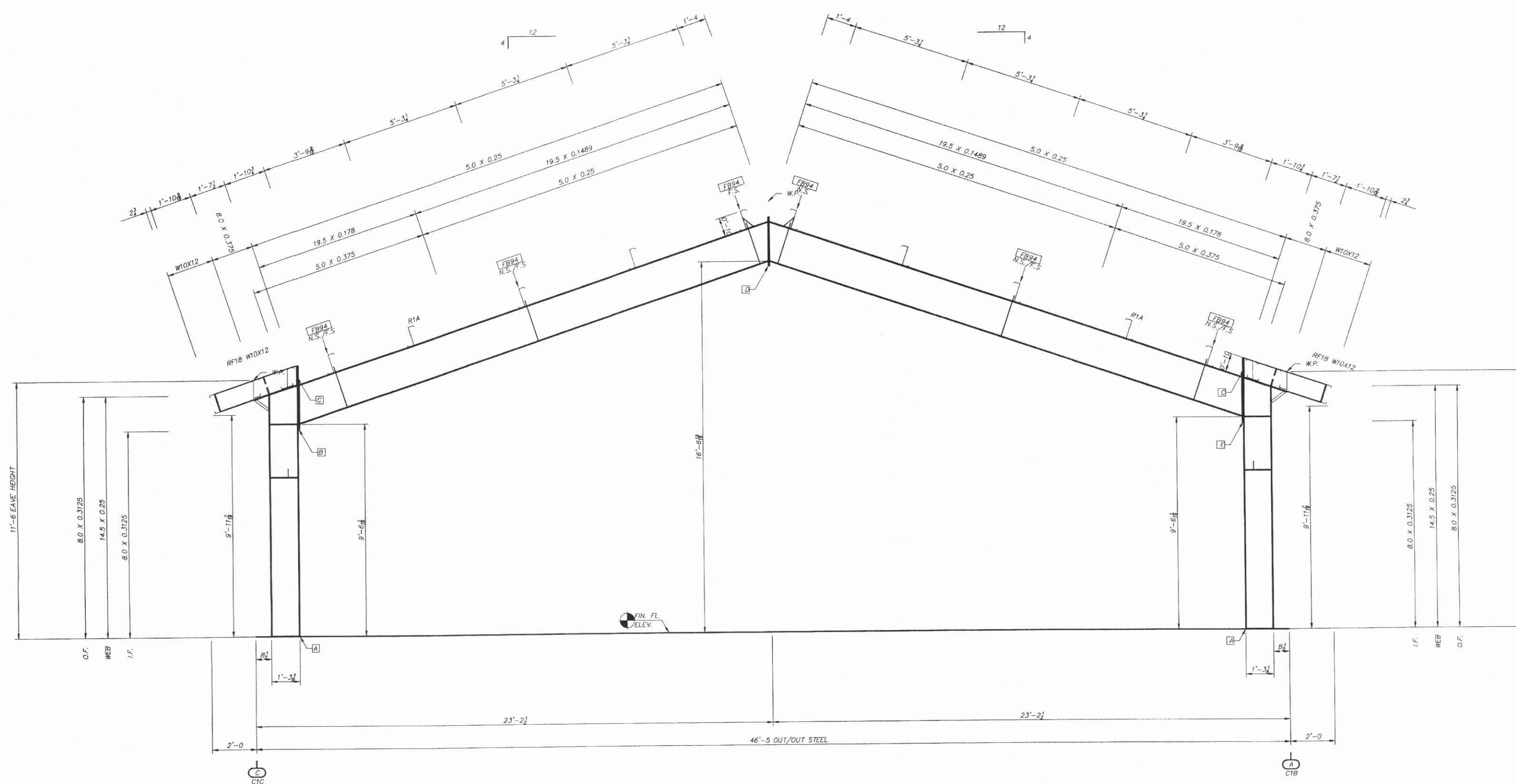
REV.	DESCRIPTION	DET.	DATE	CHK.	DATE



10/21/02

DRAWN WKB	DATE 10-18-02	<p><b>Ceco Building Systems</b> a Robertson Ceco company</p>	EASTERN REGION P.O. DRAWER 2387 ROCKY MOUNT, NC 27802-2387 (252) 977-2131	JOB NO. 10-B-45725-1
CHECKED WKB	DATE 10-21-02		CUSTOMER: CLARK O YODER INC 521 GLADE CITY ROAD MEYERSDALE, PA 15552 ATTN: CLARK YODER	MEMBER MBMA
ENGINEER JMS	DATE 10/21/02	SCALE "NTS"	SHIP TO: ACTION MINING TIPTON HILL ROAD BOYNTON, PA 15532	REV. NO. SHEET NO. A E6 of 13

GENERAL NOTES  
 FRAME CLEARANCES SHOWN ARE APPROXIMATE AND  
 MAY VARY DUE TO CONDITIONS (DEFLECTION).  
 VERTICAL CLEARANCE DIMENSIONS ARE FROM  
 FINISHED FLOOR REFERENCE ELEVATION.



CROSS SECTION AT FRAME LINE "3"

PLATE SIZE TABLE			SPLICE BOLT TABLE				
CONN.	LOW SIDE	HIGH SIDE	QTY.	SIZE	TYPE	HARDENED WASHERS	BEVELED WASHERS
A	8 X 0.375 X 1'-3 1/2"		(10)	3/4 X 2	A325 B&N	0	0
B	8 X 0.5 X 2'-10 1/2"	6 X 0.5 X 2'-2 1/2"	(2)	3/4 X 2	A325 B&N	0	0
C	6 X 0.25 X 6		(8)	3/4 X 2	A325 B&N	0	0
D	6 X 0.375 X 2'-2	6 X 0.375 X 2'-2	(10)	3/4 X 2	A325 B&N	0	0
E	6 X 0.5 X 2'-2 1/2"	8 X 0.5 X 2'-10 1/2"	(10)	3/4 X 2	A325 B&N	0	0

REV.	DESCRIPTION	DET.	DATE	CHK.	DATE

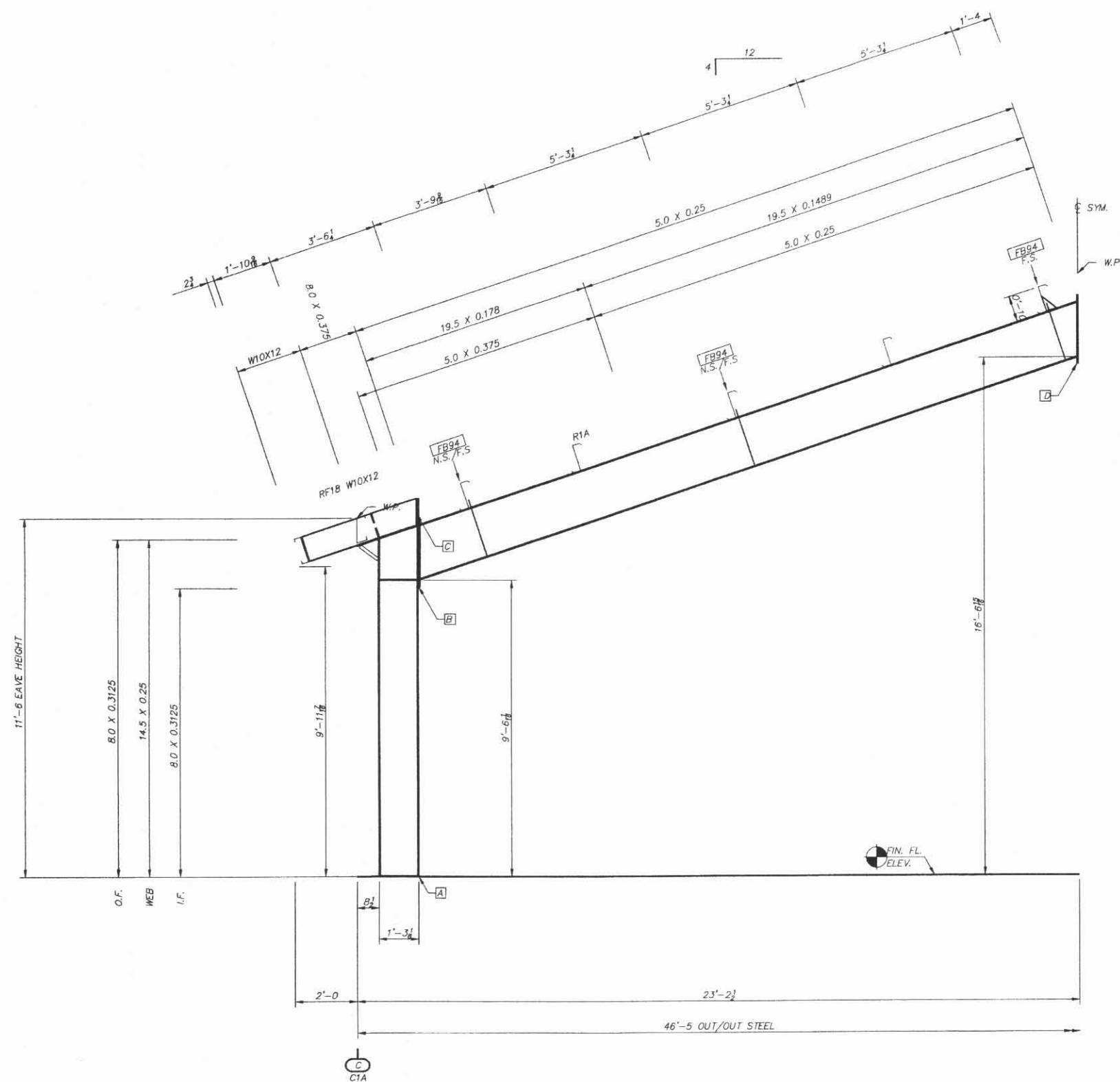


DRAWN: WKB DATE: 10-18-02  
 CHECKED: WKB DATE: 10-21-02  
 ENGINEER: JMS DATE: 10/21/02  
 SCALE: "NTS"

**Ceco Building Systems**  
 a Robertson Ceca company  
 EASTERN REGION  
 P.O. DRAWER 2387  
 ROCKY MOUNT, NC 27802-2387  
 (252) 977-2131  
 CUSTOMER: CLARK O YODER INC  
 521 GLADE CITY ROAD  
 MEYERSDALE, PA 15552  
 ATTN: CLARK YODER  
 SHIP TO: ACTION MINING  
 TRIPTON HILL ROAD  
 BOYNTON, PA 15532

JOB NO. 10-B-45725-1  
 MEMBER MBMA  
 REV. NO. A SHEET NO. E7 of 13

GENERAL NOTES:  
 FRAME CLEARANCES SHOWN ARE APPROXIMATE AND  
 MAY VARY DUE TO CONDITIONS (DEFLECTION).  
 VERTICAL CLEARANCE DIMENSIONS ARE FROM  
 FINISHED FLOOR REFERENCE ELEVATION.



CROSS SECTION AT FRAME LINE "4"

CONN.	PLATE SIZE TABLE		SPLICE BOLT TABLE			
	LOW SIDE	HIGH SIDE	QTY.	SIZE	TYPE	HARDENED REVELED WASHERS
A	8 X 0.375 X 1'-3 1/2"					
B	8 X 0.5 X 2'-10 1/2"	6 X 0.5 X 2'-2 1/2"	(10)	3/4 X 2	A325 B&N	0 0
C	6 X 0.25 X 6		(2)	3/4 X 2	A325 B&N	0 0
D	6 X 0.375 X 2'-2"		(8)	3/4 X 2	A325 B&N	0 0

REV.	DESCRIPTION	DET.	DATE	CHK.	DATE
△					
△					
△					
△					



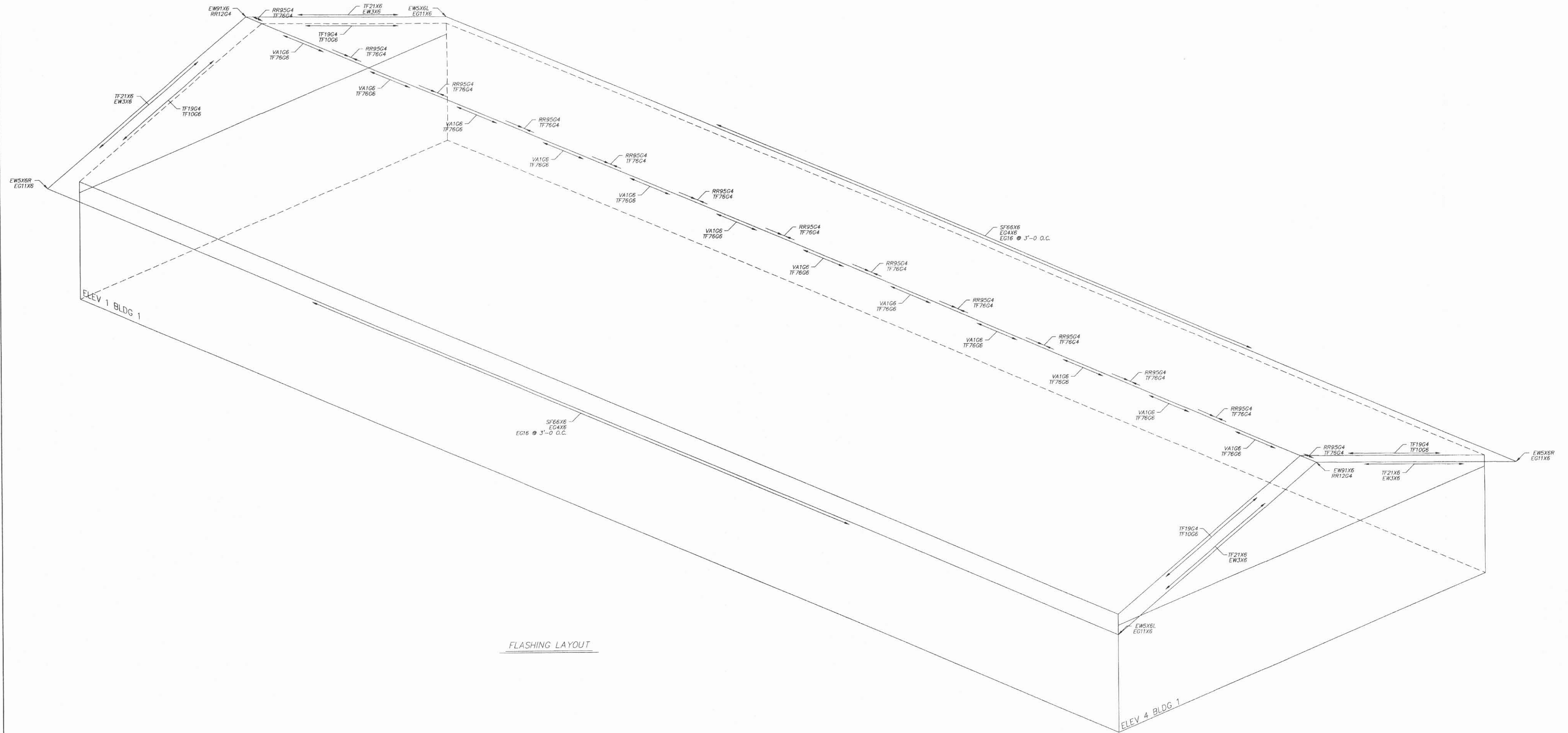
DRAWN WKB	DATE 10-18-02	<p><b>Ceco Building Systems</b>                  a Robertson Ceca company</p>	EASTERN REGION P.O. DRAWER 2387 ROCKY MOUNT, NC 27802-2387 (252) 977-2131	JOB NO. 10-B-45725-1
CHECKED WKB	DATE 10-21-02		CUSTOMER: CLARK O YODER INC 521 GLADE CITY ROAD MEYERSDALE, PA 15552 ATTN: CLARK YODER	SHIP TO: ACTION MINING TIPTON HILL ROAD BOYNTON, PA 15532
ENGINEER JMS	DATE 10/21/02	SCALE "NTS"		REV. NO. SHEET NO. A E8 of 13



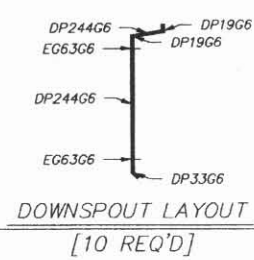
SCHEDULE OF ACCESSORIES

NO. REQD	DESCRIPTION
12	9 IN X 10-0 RIDGE VENT W/DAMPERS

THIS BUILDING HAS A SEALED EAVE WITH GUTTER. ROOF SHEET SIDELAPS ARE TO BE SEALED USE STANDARD WALL PROCEDURES TO ERECT THE SIDEWALL AND ENDWALL PANELS.



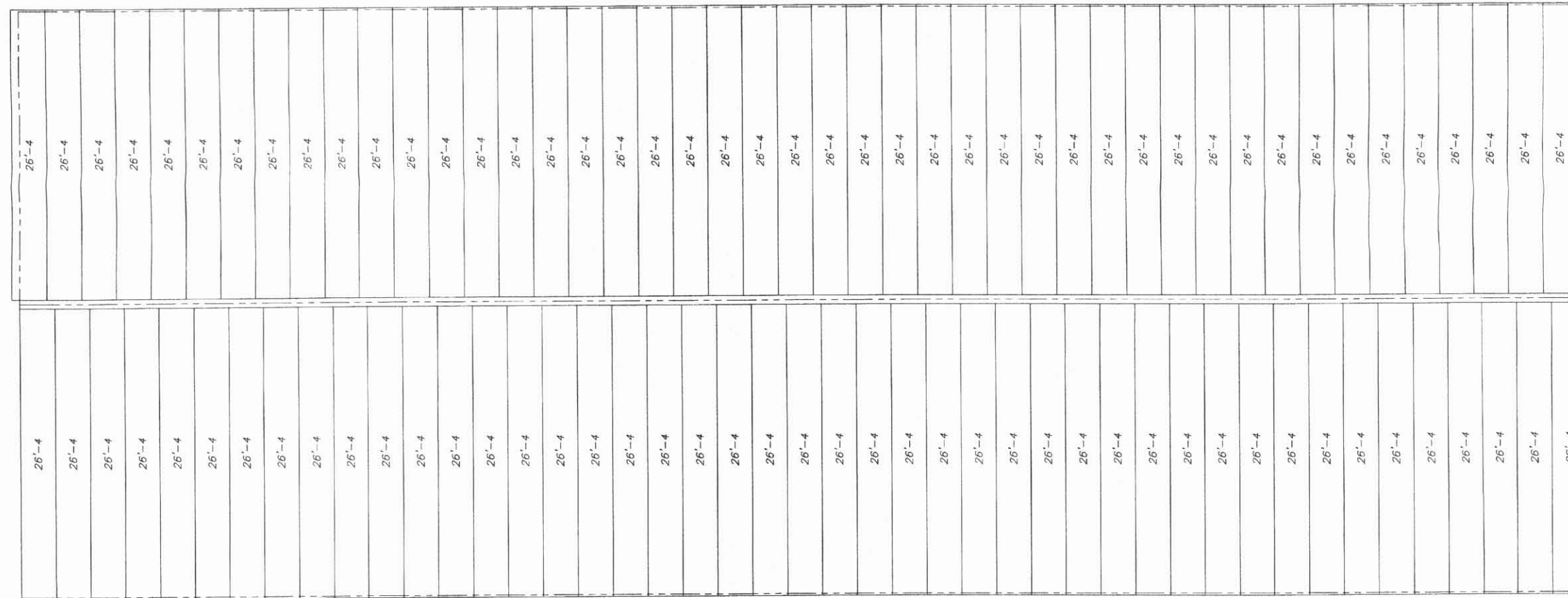
FLASHING LAYOUT



REV.	DESCRIPTION	DET.	DATE	CHK.	DATE

DRAWN WKB	DATE 10-18-02	<p><b>Ceco Building Systems</b> a Robertson Ceco company</p>	EASTERN REGION P.O. DRAWER 2387 ROCKY MOUNT, NC 27802-2387 (252) 977-2131	JOB NO. 10-B-45725-1
CHECKED WKB	DATE 10-21-02		MEMBER	
ENGINEER Jms	DATE 10/21/02	CUSTOMER: CLARK O YODER INC 521 BLAISE CITY ROAD MEYERSDALE, PA 15552 ATTN: CLARK YODER	SHIP TO: ACTON MINING TRIPTON HILL ROAD BOYNTON, PA 15532	<p>REV. NO. SHEET NO. A 9 of 13</p>
SCALE "NTS"				

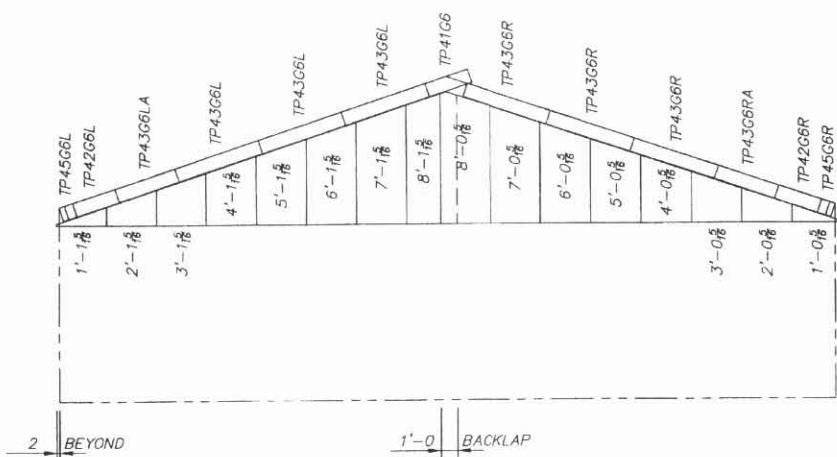
PANEL TYPE = MAP (GALM)  
 PANEL OVERHANG = 2  
 FROM OUTER STEEL



PANEL TYPE = MAP (GALM)  
 PANEL OVERHANG = 2  
 FROM OUTER STEEL

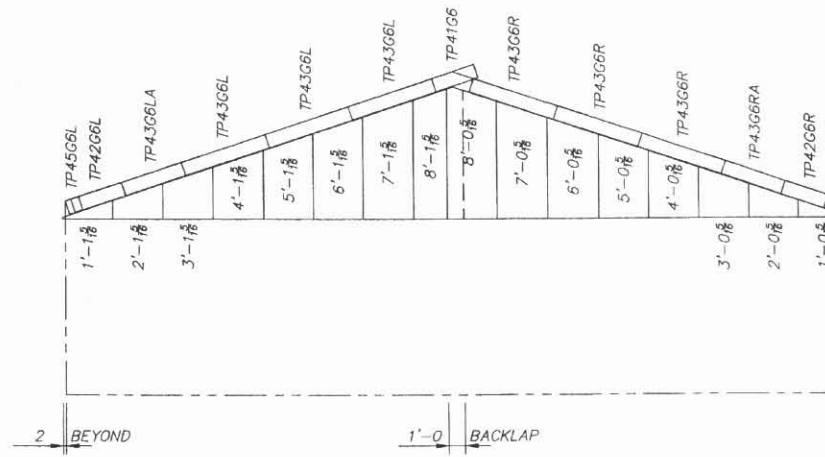
ROOF SHEETING PLAN

MVW WALL PANELS  
 PANEL COVERAGE = 3'-0"  
 COLOR = GALM  
 PANEL PKG. REQ'D. = MAB1

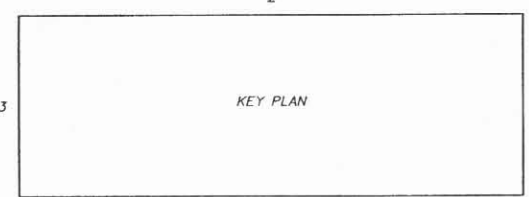


WALL SHEETING ELEVATION "3"  
 BLDG 1

MVW WALL PANELS  
 PANEL COVERAGE = 3'-0"  
 COLOR = GALM  
 PANEL PKG. REQ'D. = MAB2



WALL SHEETING ELEVATION "4"  
 BLDG 1



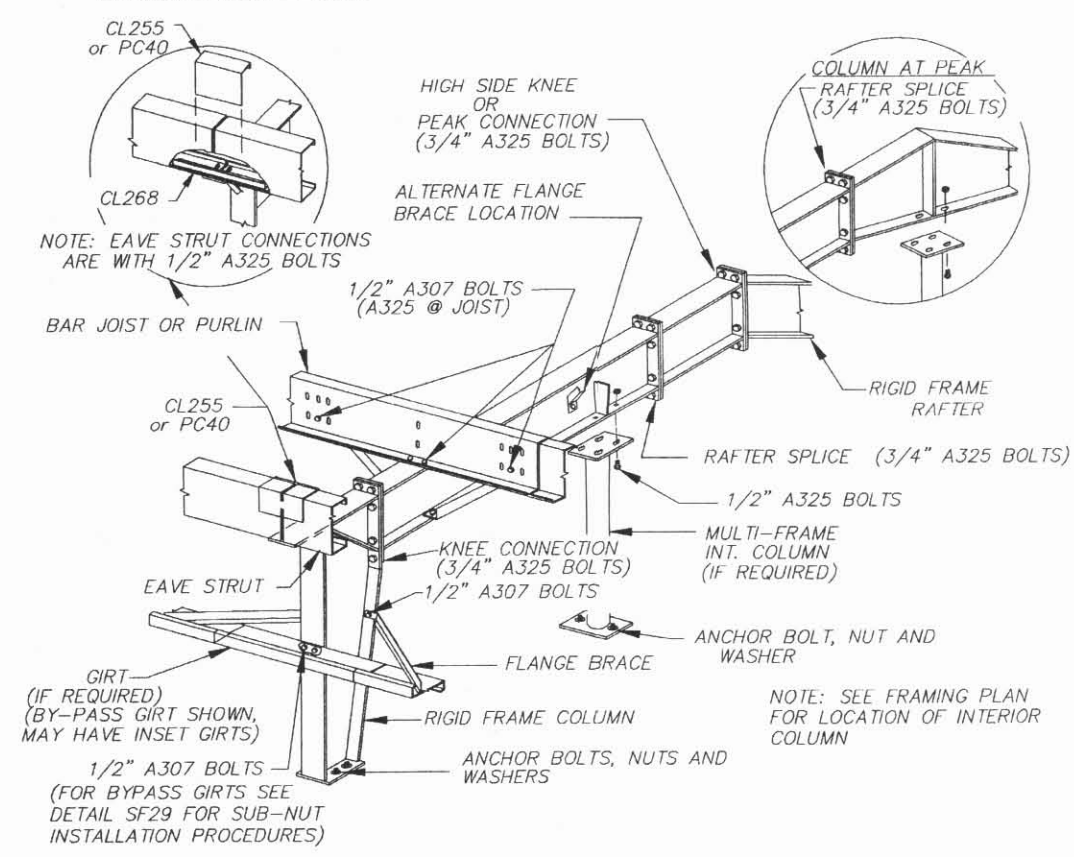
REV.	DESCRIPTION	DET.	DATE	CHK.	DATE

DRAWN WKB DATE 10-18-02  
 CHECKED DATE 10-21-02  
 ENGINEER Jms DATE 10/21/02  
 SCALE "N.T.S."

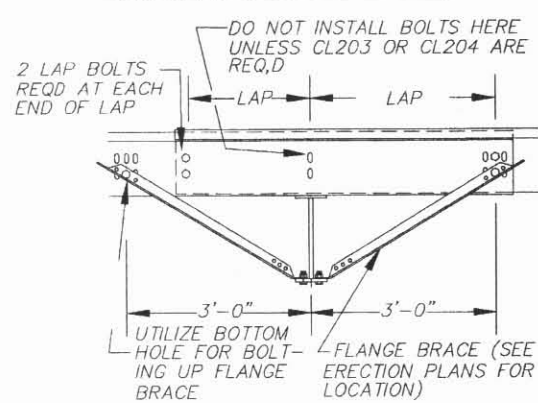
**Ceco Building Systems**  
 a Robertson Ceco company  
 EASTERN REGION  
 P.O. DRAWER 2387  
 ROCKY MOUNT, NC 27802-2387  
 (252) 977-2131  
 CUSTOMER:  
 CLARK O YODER INC  
 521 GLADE CITY ROAD  
 MEYERSDALE, PA 15552  
 ATTN: CLARK YODER  
 SHIP TO:  
 ACTION MINING  
 TIPTON HILL ROAD  
 BOYNTON, PA 15532

JOB NO. 10-B-45725-1  
 MEMBER MBMA  
 REV. NO. SHEET NO. A E10 of 13

**SFT1 PRIMARY FRAME DETAIL**

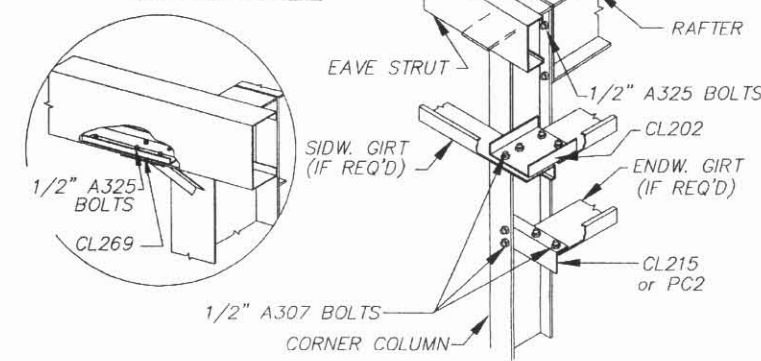


**DETAIL AT BY-PASS PURLINS**

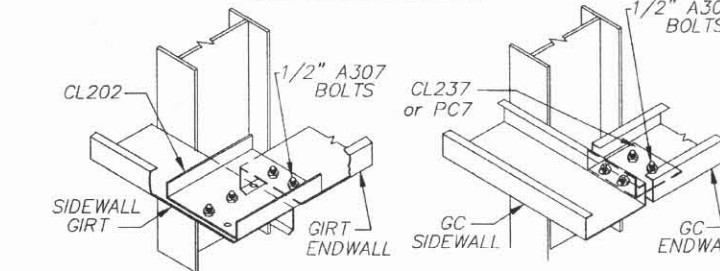


ALL BOLTS SHOWN ARE 1/2" A307 BOLTS.  
NOTE: ZEE LAPS MAY VARY IN LENGTH AND MAY NOT NECESSARILY BE THE SAME ON EACH SIDE OF THE FRAME

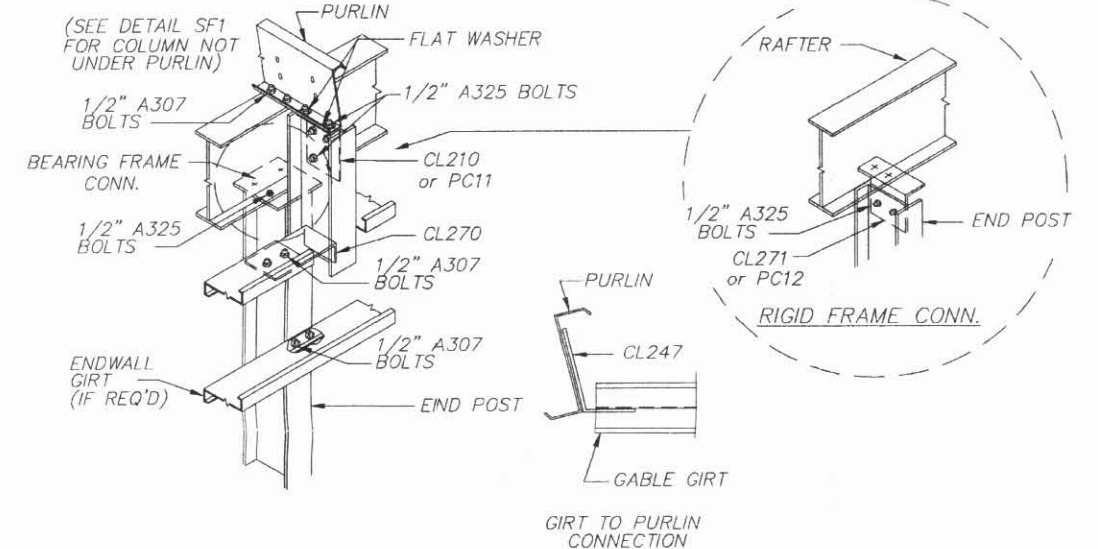
**SF2 CORNER COLUMN WITH BY-PASS GIRTS**



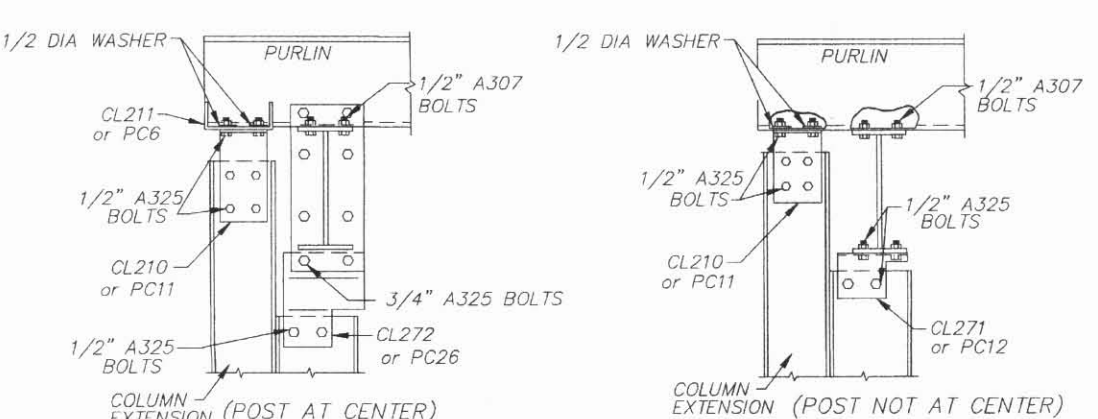
**DETAIL AT CORNER FOR BYPASS GIRTS**



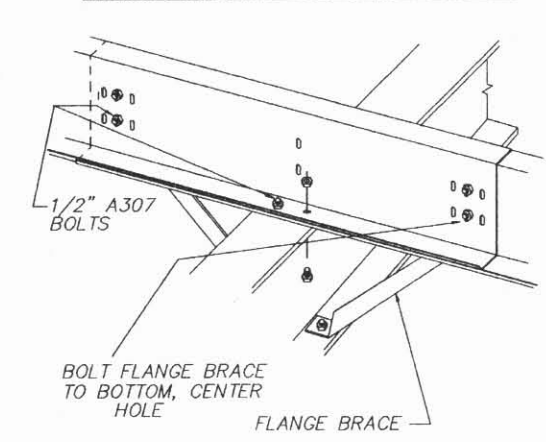
**END FRAME WITH BY-PASS GIRTS**



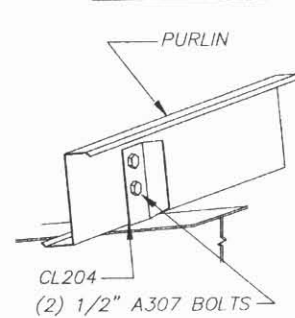
**SF7 RIGID END FRAME-BYPASS GIRTS**



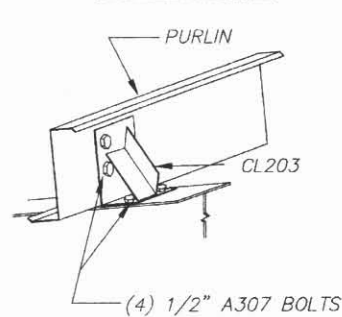
**FLANGE BRACING TO PURLIN OR GIRT**



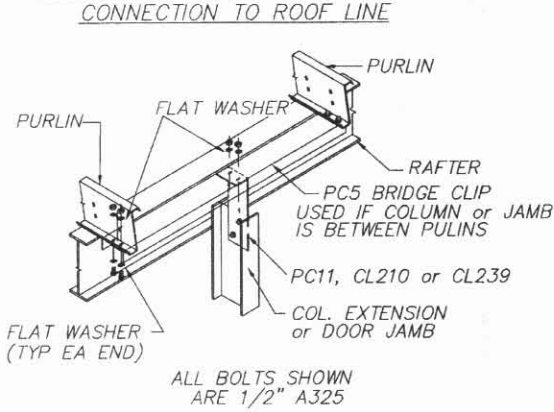
**DETAIL AT PURLIN WEB STIFFENER**



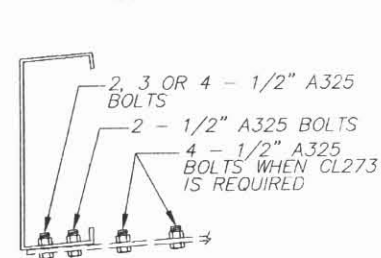
**DETAIL AT PURLIN ANTI-ROLL CLIP**



**COLUMN EXTENSION OR DOOR JAMB CONNECTION TO ROOF LINE**

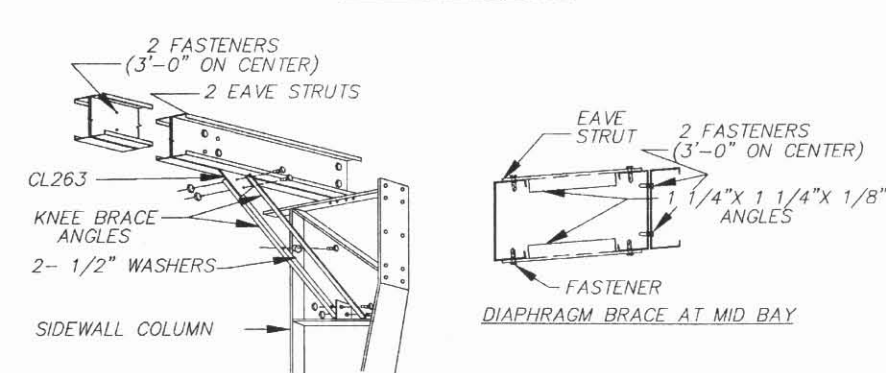


**EAVE STRUT BOLT REQUIREMENTS**



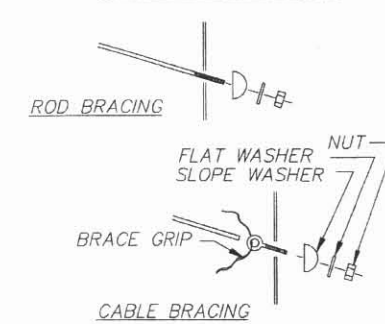
**SF15**

**KNEE BRACE DETAIL**

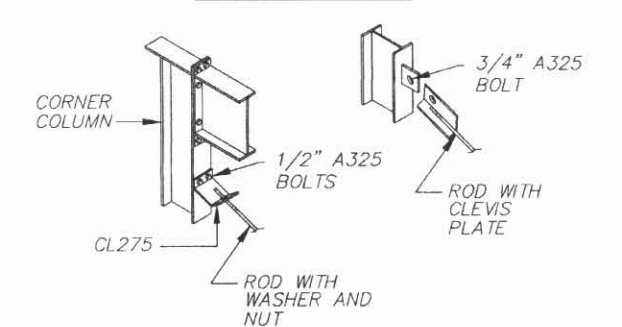


NOTE:  
1. ALL BOLTS SHOWN ARE 1/2" HIGH STRENGTH (A235)  
2. KNEE BRACE LOCATIONS ARE PER ERECTION PLANS  
3. ROOF SHEETS MUST BE ATTACHED TO THE UPHILL EAVE STRUT WITH SCREWS, ON RIBBED ROOFS OR CLIPS, ON STANDING SEAM ROOFS.

**SFT11 ROD OR CABLE CONNECTION DETAILS**



**ENDWALL BRACING DETAIL AT CORNER**



**TEMPORARY CONSTRUCTION BRACING**  
IT IS THE RESPONSIBILITY OF THE ERECTOR TO MAINTAIN STABILITY OF THE STRUCTURE DURING ALL STAGES OF ERECTION, PARTICULARLY WHEN LEFT OVERNIGHT.  
TEMPORARY SUPPORTS, SUCH AS TEMPORARY GUYS, BRACES, OR OTHER ELEMENTS SHALL BE THE TOTAL AND COMPLETE RESPONSIBILITY OF THE ERECTOR. THE TEMPORARY SUPPORTS REQUIRED SHALL BE DETERMINED AND FURNISHED BY THE ERECTOR.  
TEMPORARY CONSTRUCTION SUPPORTS SHALL BE PROVIDED WHEREVER NECESSARY TO ACCOMMODATE ALL CONSTRUCTION LOADS TO WHICH THE STRUCTURE MAY BE SUBJECTED, INCLUDING EQUIPMENT AND THE OPERATION OF THE SAME. SUCH SUPPORTS SHALL BE LEFT IN PLACE AS LONG AS MAY BE REQUIRED FOR SAFETY.  
**INSTALLING A325 HIGH STRENGTH BOLTS BY TURN-OF-NUT METHOD**  
AS STATED IN "SPECIFICATIONS FOR STRUCTURAL JOINTS USING A325 OR A490 BOLTS" BY THE RESEARCH COUNCIL ON RIVETED AND BOLTED STRUCTURAL JOINTS OF THE ENGINEERING FOUNDATION, FEBRUARY 4, 1976. ENDORSED BY AMERICAN INSTITUTE OF STEEL CONSTRUCTION AND BY INDUSTRIAL FASTENERS INSTITUTE.  
1. ALONG THE CONNECTION HOLES WITH ENOUGH DRIFT PINS TO MAINTAIN THE DIMENSIONS AND PLUMBNESS OF THE STRUCTURE.  
2. ENOUGH BOLTS SHALL BE BROUGHT TO A "SNUG TIGHT" CONDITION TO INSURE THAT THE PARTS OF THE JOINT ARE BROUGHT INTO GOOD CONTACT WITH EACH OTHER. "SNUG TIGHT" IS DEFINED AS THE TIGHTNESS ATTAINED BY A FEW IMPACTS OF AN IMPACT WRENCH OR THE FULL EFFORT OF A MAN USING AN ORDINARY SPUD WRENCH.  
3. BOLTS SHALL BE PLACED IN ANY REMAINING HOLES IN THE CONNECTION AND BROUGHT TO SNUG TIGHTNESS.  
4. ALL BOLTS IN THE CONNECTION SHALL BE TIGHTENED ADDITIONALLY BY THE APPLICABLE AMOUNT OF THE NUT ROTATION SPECIFIED IN TABLE A WITH TIGHTENING PROGRESSING SYSTEM-ARBITRARILY FROM THE MOST RIGID PART OF THE JOINT TO ITS FREE EDGES. DURING THIS OPERATION THERE SHALL BE NO ROTATION OF THE PART NOT TURNED BY THE WRENCH.

BOLT GRIP CHART			
3/4" A325 BOLT		1/2" A325 BOLT	
GRIP	BOLT LENGTH	GRIP	BOLT LENGTH
3/8" - 13/16"	1 3/4"	1/16" - 7/16"	1"
7/8" - 1"	2"	1/2" - 15/16"	1 1/2"
1 1/16" - 1 5/16"	2 1/4"	1" - 1 7/16"	2"
1 3/8" - 1 9/16"	2 1/2"	1 1/2" - 1 15/16"	2 1/2"
1 5/8" - 2 1/16"	3"		
2 1/8" - 2 9/16"	3 1/2"		

NOTE: FULL THREAD ENGAGEMENT IS DEEMED TO HAVE BEEN MET WHEN THE END OF THE BOLT IS FLUSH WITH THE FACE OF THE NUT.

DIA.	LENGTH***	NUT ROTATION** FROM SNUG TIGHT CONDITION
1/2"	2" AND SHORTER	1/3 TURN
1/2"	OVER 2", NOT OVER 4"	1/2 TURN
3/4"	3" AND SHORTER	1/3 TURN
3/4"	OVER 3", NOT OVER 6"	1/2 TURN
7/8"	3 1/2" AND SHORTER	1/3 TURN
7/8"	OVER 3 1/2", NOT OVER 7"	1/2 TURN

\*\* NUT ROTATION IS RELATIVE TO BOLT REGARDLESS OF THE ELEMENT (NUT OR BOLT) BEING TURNED. FOR BOLTS INSTALLED BY 1/2 TURN OR LESS, THE TOLERANCE SHOULD BE (+) OR (-) 30 DEGREES.  
\*\*\* BOLT LENGTH IS MEASURED FROM THE UNDERSIDE OF THE HEAD TO THE EXTREME END OF THE THREADED PORTION.

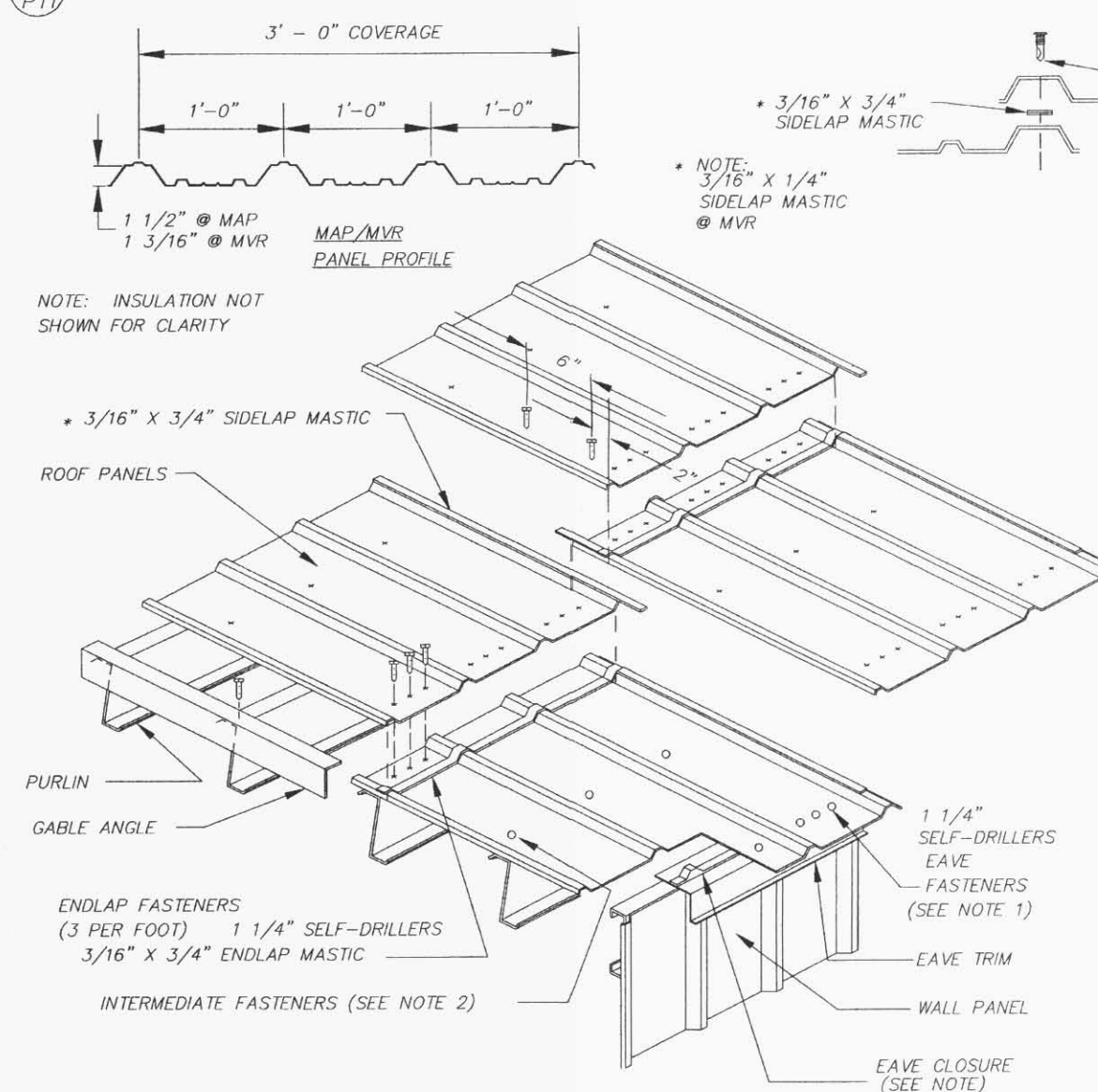
**BOLT TIGHTENING PROCEDURE FOR A-325 BOLTS**

- USE TURN OF NUT METHOD WHEN HARDENED WASHERS ARE NOT SUPPLIED.
- IF IMPACT WRENCH IS USED, IT MUST BE CALIBRATED IN ACCORDANCE WITH THE TURN-OF-NUT METHOD OR THE METHOD OF TIGHTENING BEING USED.
- OVER-TIGHTENING OF THE BOLTS CAN CAUSE SERIOUS DAMAGE AND POSSIBLE FAILURE OF THE BOLT.
- THE AISC RECOMMENDS CONTINUOUS MONITORING OF THE INSTALLATION PROCESS BY THE INSPECTOR IN LIEU OF AN AFTER-THE-FACT INSPECTION WHEN TURN OF NUT TIGHTENING IS USED.

REV.	DESCRIPTION	DET.	DATE	CHK.	DATE

DRAWN WKB	DATE 10-21-02	<p><b>Ceco Building Systems</b> a Robertson Ceco company</p>	EASTERN REGION P.O. DRAWER 2387 ROCKY MOUNT, NC 27802-2387 (252) 977-2131	JOB NO. 10-B-45725-1
CHECKED WKB	DATE 10-21-02		CUSTOMER CLARK O YODER INC 521 GLADE CITY ROAD MEYERSDALE, PA 15552 ATTN: CLARK YODER	MEMBER MBMA REV. NO. SHEET NO. A E11 of 13
ENGINEER Jms	DATE 10/21/02	SHIP TO ACTION MINING TIPTON HILL ROAD BOYNTON, PA 15532		
SCALE "NTS"				

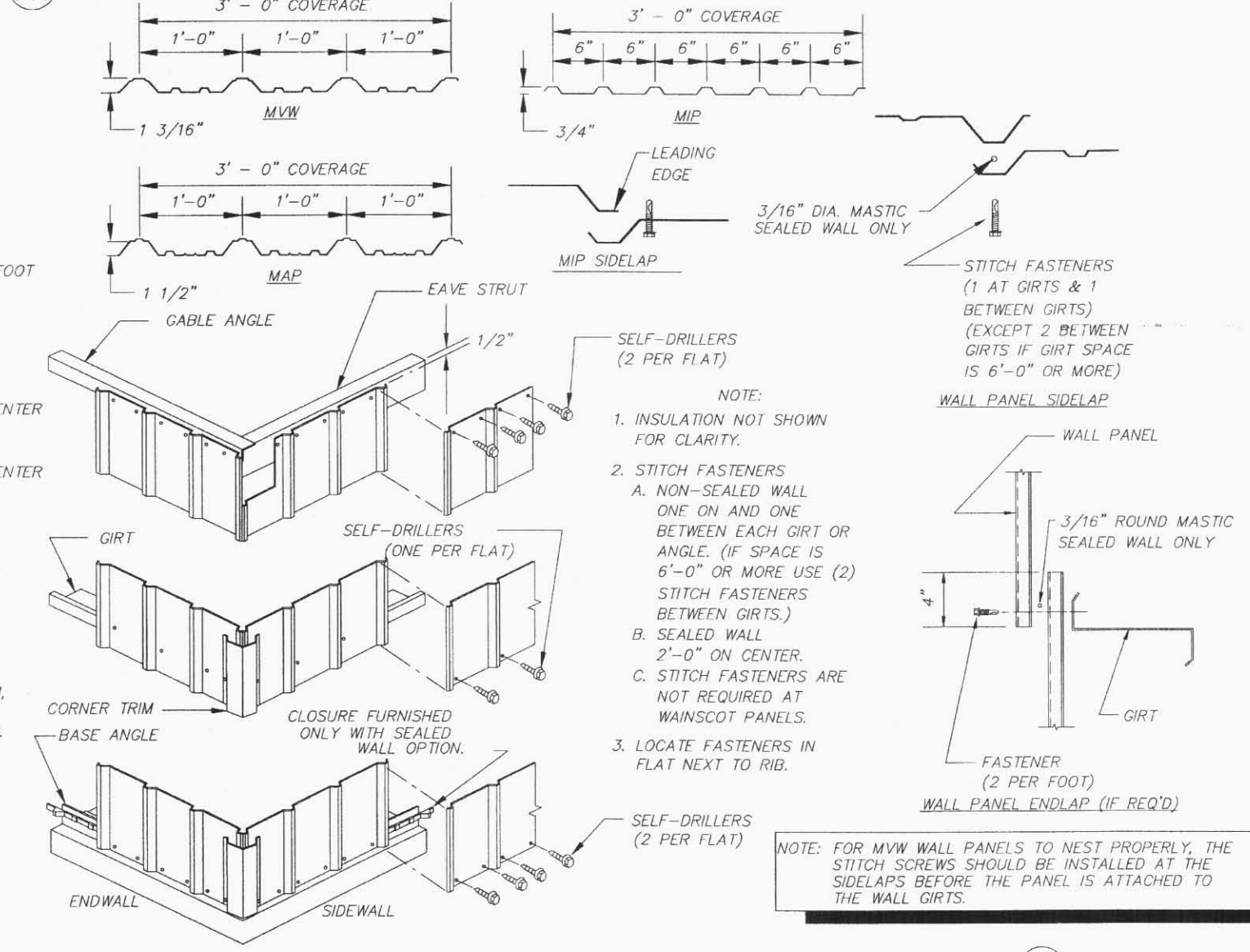
**RIBBED ROOF PANEL INSTALLATION**



NOTE: 3/16" X 1/4" SIDELAP MASTIC @ MVR

- NOTE:**
- EAVE FASTENERS
    - NON SEALED EAVE - 2 PER FOOT
    - SEALED EAVE - 3 PER FOOT
  - INTERMEDIATE FASTENERS
    - ONE PER FOOT
  - STITCH FASTENERS
    - SEALED SIDELAP - 15" ON CENTER PLUS ONE ADDITIONAL AT FOUR WAY LAP
    - UNSEALED EAVE - 15" ON CENTER UP 10' - 0" FROM EAVE, REMAINDER OF ROOF 30" ON CENTER.
  - SIDELAP MASTIC - SEE BUILDING ERECTION PRINTS FOR USAGE.
  - EAVE CLOSURE (SEE BUILDING ERECTION PRINTS FOR SEALING CONDITIONS).
    - SEALED EAVE - TOP, BOTTOM, AND END JOINTS SEALED WITH 3/32" X 1 1/2" MASTIC.
    - NON SEALED EAVE - NO MASTIC REQUIRED.
    - PEAK WITH RIDGE ROLL OR EXPANSION RIDGE.
      - 3/16" X 3/4" MASTIC TOP AND BOTTOM OF CLOSURE.

**RIBBED WALL SHEETING**



- NOTE:**
- INSULATION NOT SHOWN FOR CLARITY.
  - STITCH FASTENERS
    - NON-SEALED WALL ONE ON AND ONE BETWEEN EACH GIRT OR ANGLE. (IF SPACE IS 6'-0" OR MORE USE (2) STITCH FASTENERS BETWEEN GIRTS.)
    - SEALED WALL 2'-0" ON CENTER.
    - STITCH FASTENERS ARE NOT REQUIRED AT WAINSCOT PANELS.
  - LOCATE FASTENERS IN FLAT NEXT TO RIB.

NOTE: FOR MVW WALL PANELS TO NEST PROPERLY, THE STITCH SCREWS SHOULD BE INSTALLED AT THE SIDELAPS BEFORE THE PANEL IS ATTACHED TO THE WALL GIRTS.

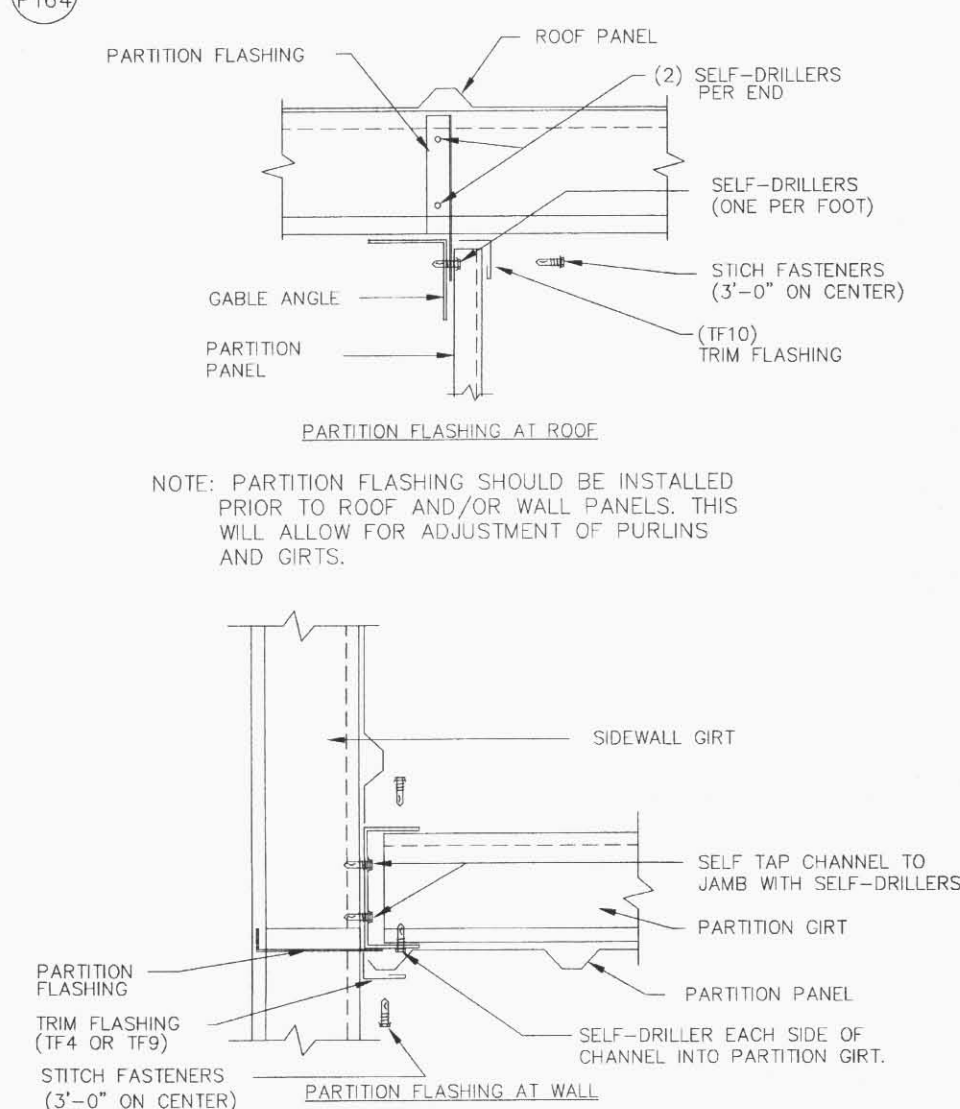
**GENERAL NOTES**

- ALL PURLINS WILL BE 10 Z 84
- ALL SIDEWALL GIRTS WILL BE N/A
- ALL ENDWALL GIRTS WILL BE 10 Z 84
- ALL CHANNELS WILL BE 10 C 84
- ALL EAVE STRUTS WILL BE 9 5/8 E 84
- ALL FLANGE BRACES WILL BE 1 1/4 X 1 1/4 X 1/8 ANGLE OR 2 X 2 X 1/8 ANGLE AS NOTED ON DRAWING.
- ALL GABLE ANGLES WILL BE 4 X 2 1/2 X .058 ANGLE
- ALL ROOF SHEETS WILL BE MAP, 26 GAUGE, GALVALUME
- ALL WALL SHEETS WILL BE MVW, 26 GAUGE, GALVALUME
- ALL ROOF INSULATION WILL BE N/A
- ALL WALL INSULATION WILL BE N/A
- ALL EAVE GUTTER WILL BE 26 GAUGE, COLOR T.B.S.
- ALL WAINSCOTING WILL BE N/A
- ALL DOWNSPOUTS WILL BE 26 GAUGE, GALVALUME
- ALL FLASHING WILL BE 26 GAUGE, COLOR T.B.S.
- ALL STRUCTURAL STEEL WILL RECEIVE ONE COAT HOT DIPPED GALVANIZED

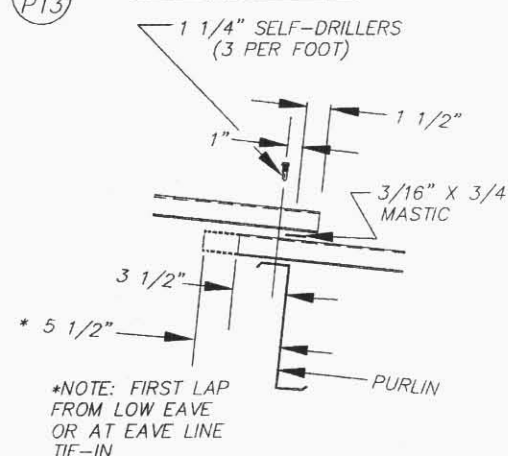
NOTE: IF WALL, ROOF, AND TRIM COLORS ARE TO BE SELECTED, PLEASE SELECT THESE COLORS BEFORE RESUBMITTING DRAWINGS TO CECO BUILDING SYSTEMS.

SC1	SIZE	FASTENER USAGE
	1 1/4" SELF-DRILLERS WITHOUT WASHER	HOLD-DOWN CLIPS RAKE ANGLE
	1 1/4" SELF-DRILLERS WITH WASHER	ENDLAPS EAVE W/O THERM BLOCKS PEAK W/O THERM BLOCKS ADAPTER FLASHING AT RAKE ANGLE TRANSLUCENT PANEL ENDLAPS THERMAL BLOCK RETAINER CHANNELS GUTTER CLIP TO GUTTER
	1 7/8" STAND-OFF WITH WASHER	RIDGE WITH THERMAL BLOCKS EAVE WITH THERMAL BLOCKS
	3/4" STITCH WITH WASHER	GUTTER CLIP TO PANEL BASE FLASHING EXPANSION RIDGE FLASHING RIDGE ROLL
	7/8" SELF-DRILLERS WITH WASHER	RAKE TRIM TO ADAPTER FLASHING OR ROOF PANEL
	7/8" SELF-DRILLERS W/O WASHER	LOCATE ON WALL BETWEEN GIRTS, USED AS A STITCH FASNR

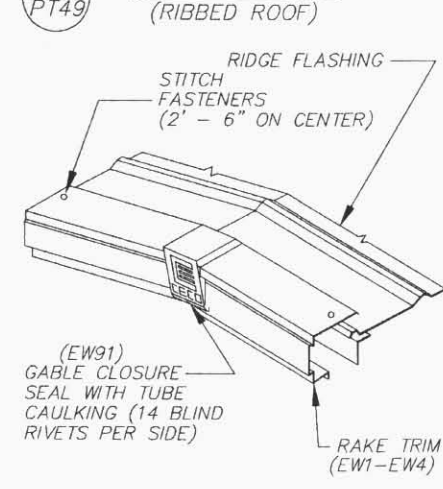
**PARTITION WALL INSTALLATION**



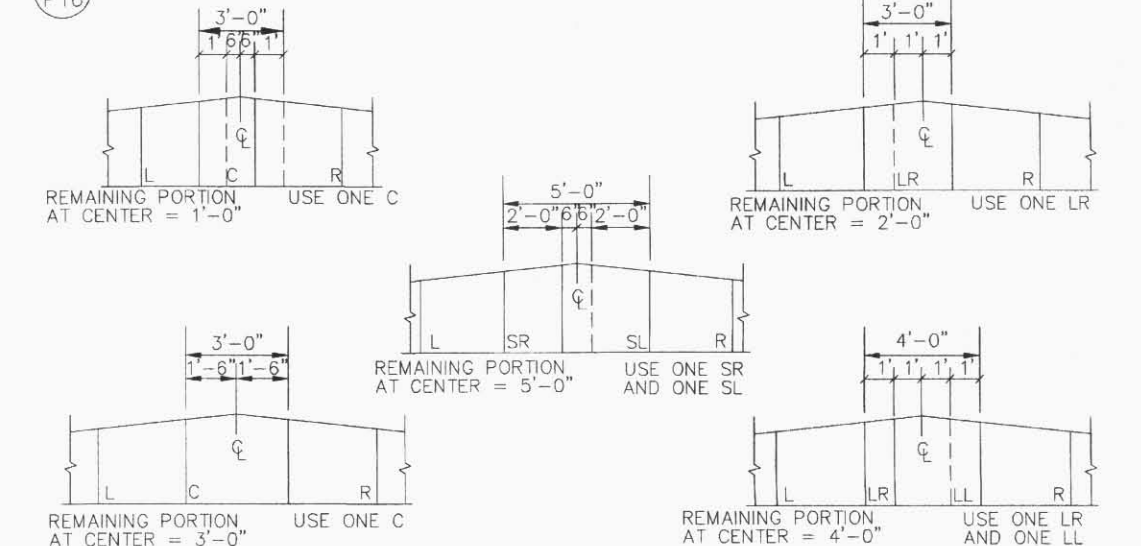
**ROOF PANEL LAP**



**RAKE TRIM DETAIL (RIBBED ROOF)**



**ENDWALL PANEL LAP PROCEDURES AT CENTER (FOR BEVELED PANELS)**

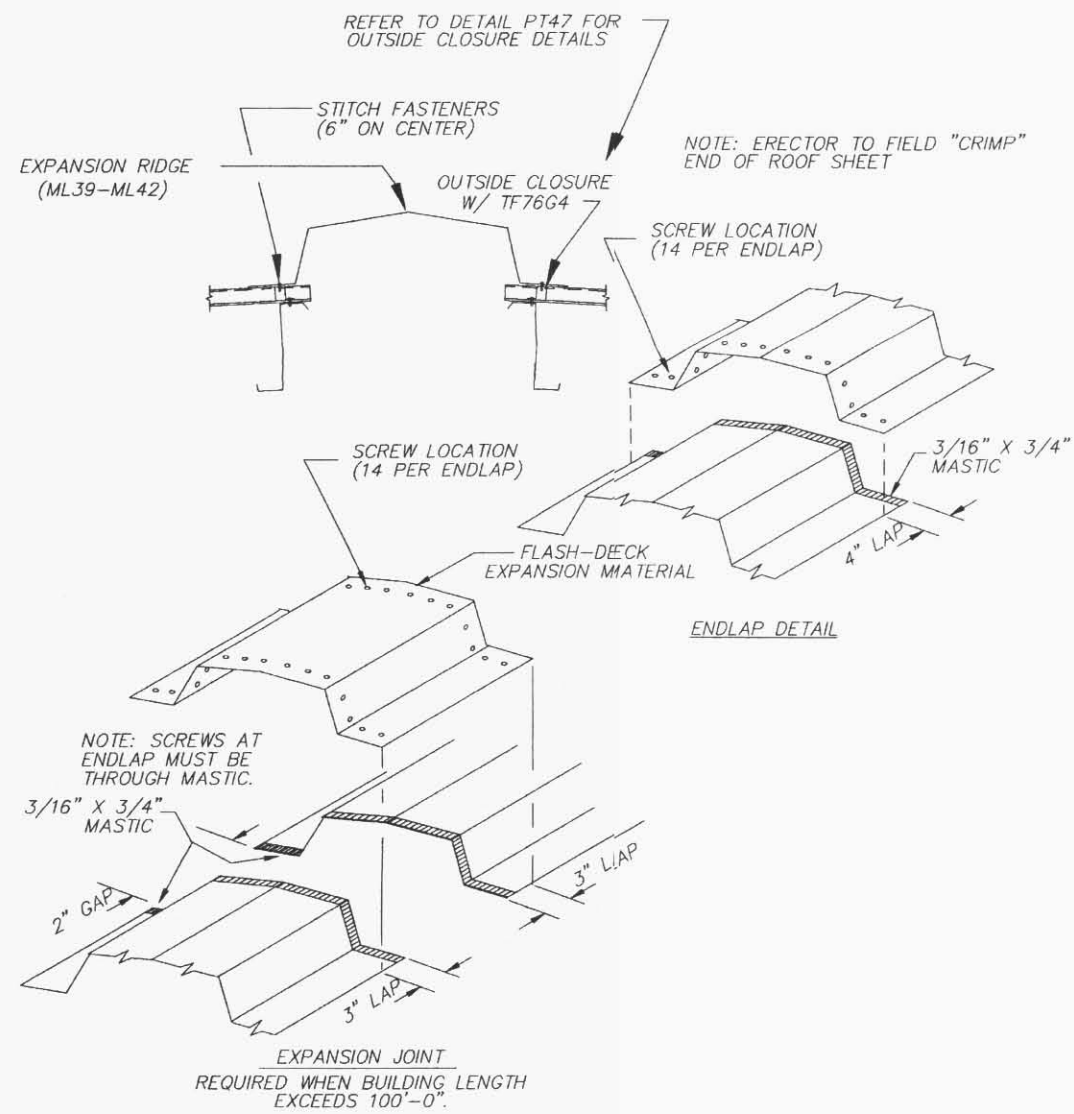


REV.	DESCRIPTION	DET.	DATE	CHK.	DATE
△					
△					
△					
△					

DRAWN WKB 10-21-02 CHECKED DATE 10-21-02 ENGINEER Jms 10/21/02 SCALE "N/S"	DATE 10-21-02 DATE 10-21-02 DATE 10/21/02	<b>Ceco Building Systems</b> a Robertson Ceco company EASTERN REGION P.O. DRAWER 2387 ROCKY MOUNT, NC 27802-2387 (252) 977-2131	JOB NO. 10-B-45725-1 MEMBER <b>MBMA</b> REV. NO. SHEET NO. A E12 of 13
CUSTOMER CLARK O YODER INC 521 GLADE CITY ROAD MEYERSDALE, PA 15552 ATTN: CLARK YODER		SHIP TO ACTION MINING TIPTON HILL ROAD BOYNTON, PA 15532	

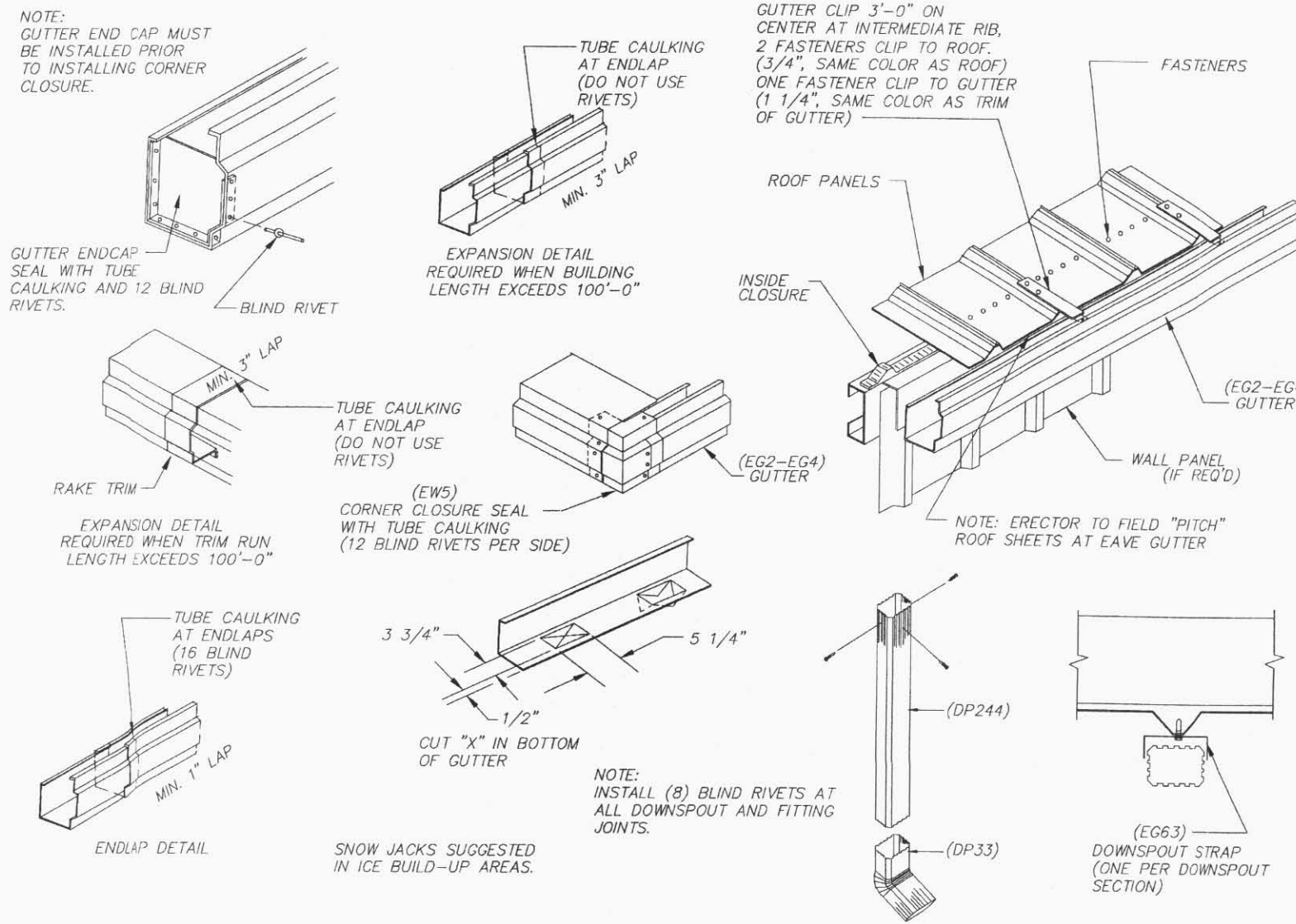
PT22

**PEAK DETAIL (WITH EXPANSION RIDGE) RIBBED ROOF**



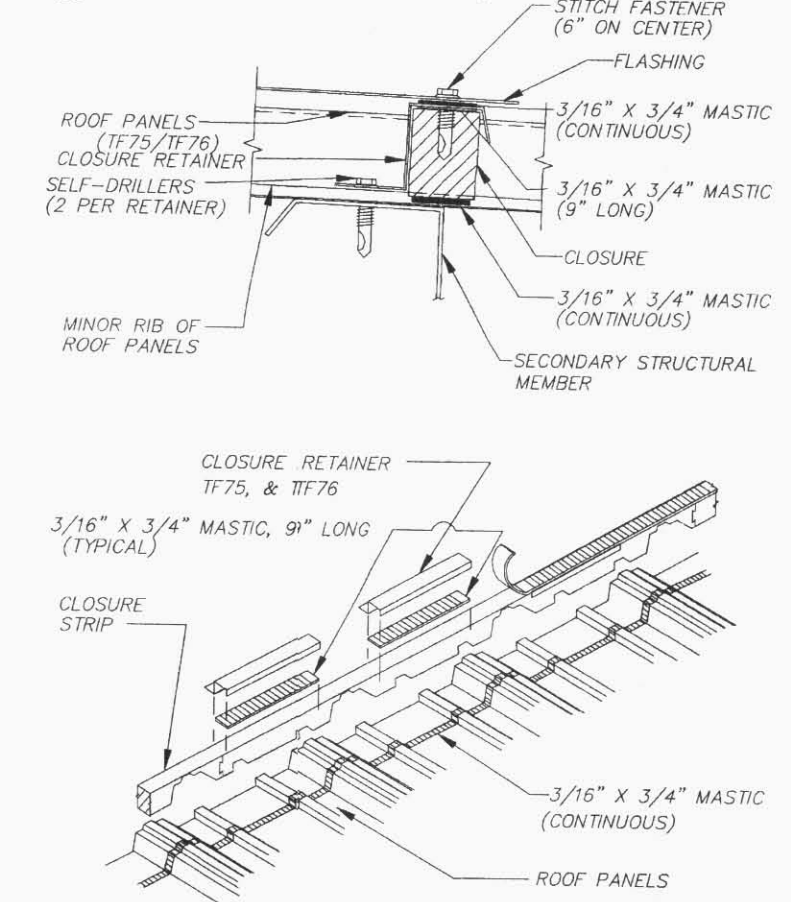
PT48

**EAVE WITH GUTTER/DOWNSPOUT INSTALLATION FOR RIBBED ROOF**



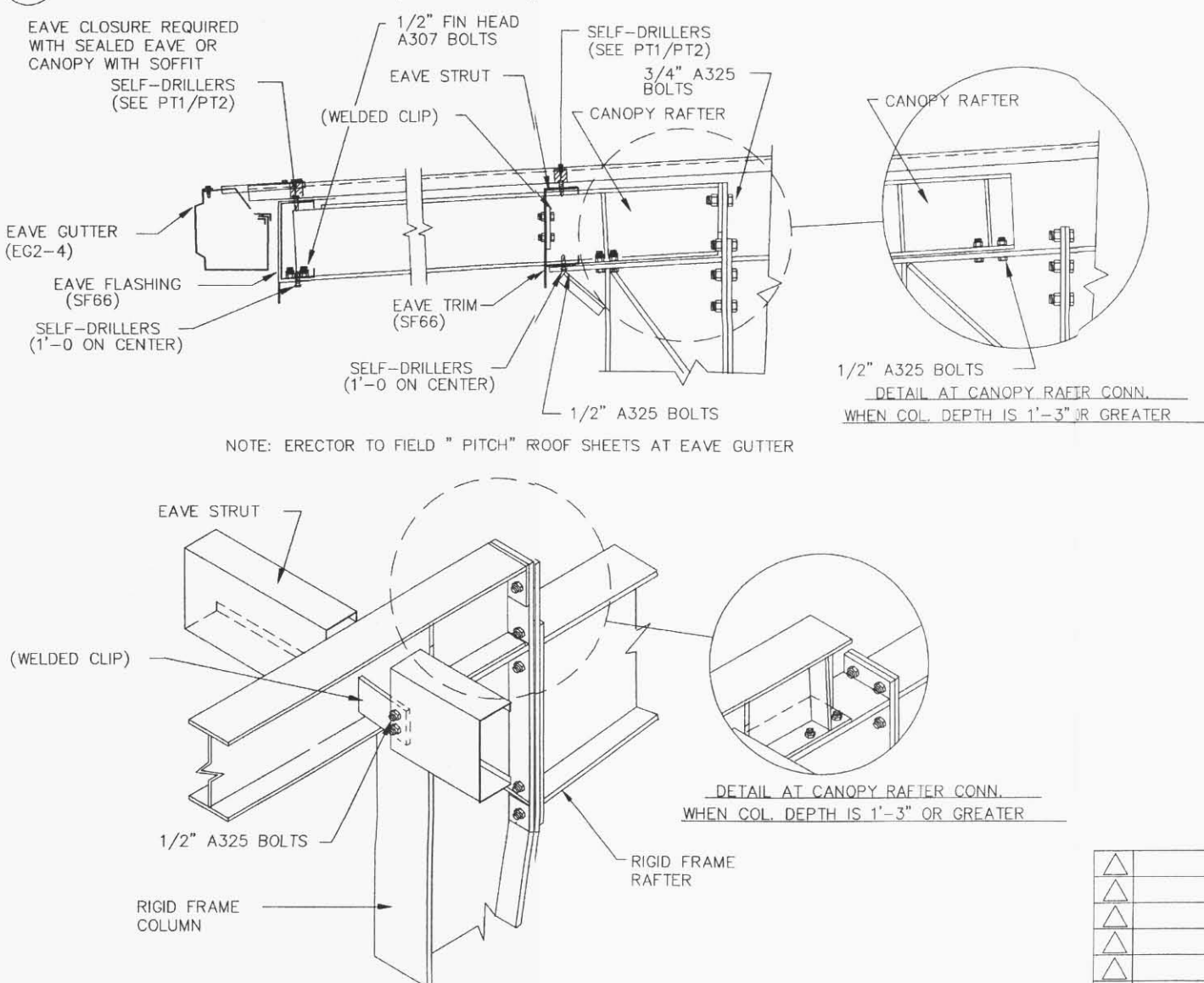
PT47

**OUTSIDE CLOSURE DETAIL (RIBBED ROOF)**



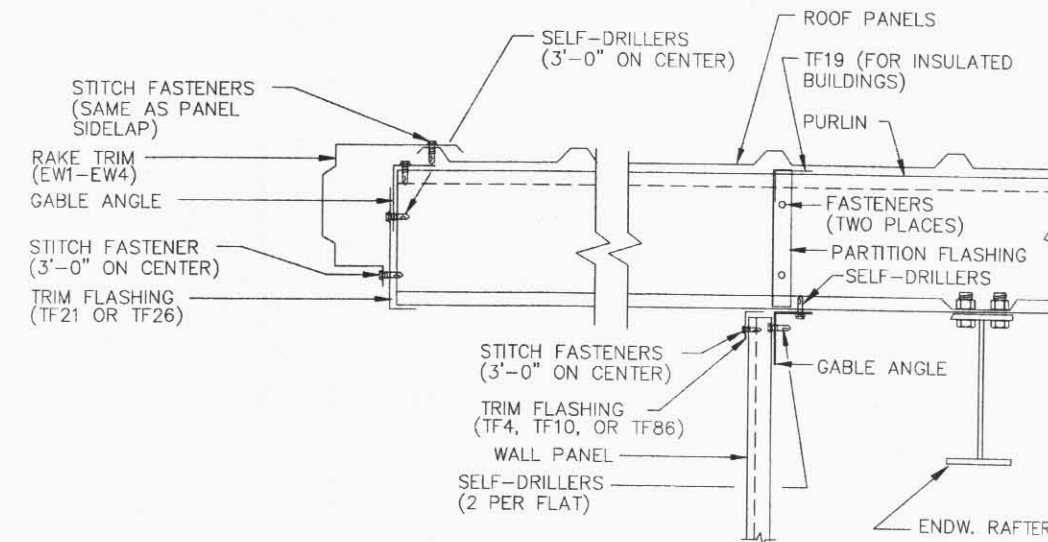
X FA14

**EAVE LINE FLUSH CANOPY RAFTER AT OPEN WALL (RIBBED ROOF)**



FA2

**PURLIN EXTENSION WITHOUT SOFFIT PANELS (SHEETED ENDWALL) (RIBBED ROOF)**



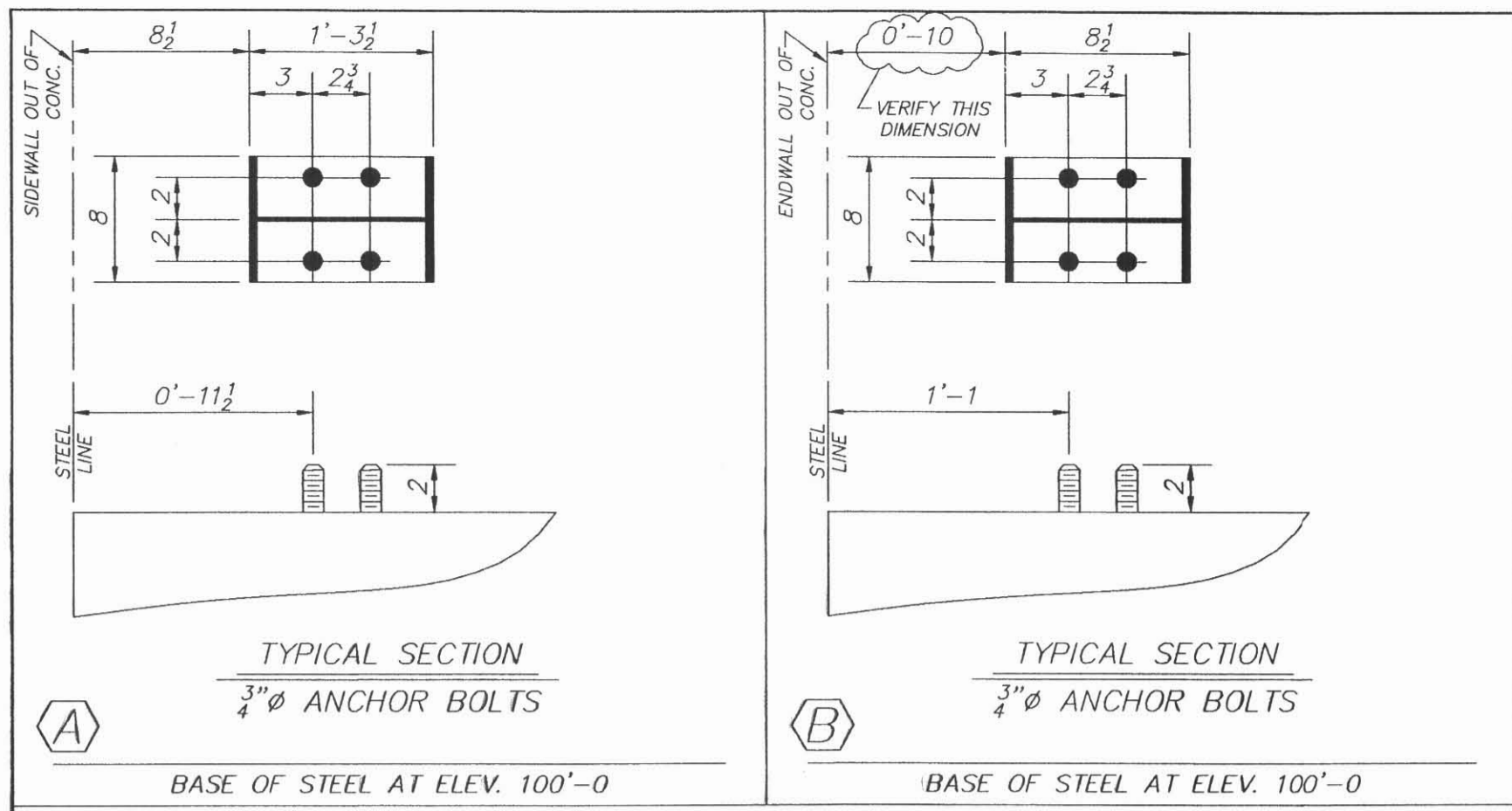
SOME OF THE DETAILS AND SECTIONS SHOWN ON THESE PAGES ARE USED FOR MORE THAN ONE BUILDING CONDITION. PLEASE REFER TO THE "GENERAL BUILDING CONDITIONS" LISTED BELOW FOR INFORMATION ABOUT YOUR BUILDING.

**"GENERAL BUILDING CONDITIONS"**

- THIS BUILDING USES COLD-FORMED MEMBERS FOR PURLINS.
- THIS BUILDING USES A BY-PASS GIRT SYSTEM.
- THIS BUILDING DOES NOT HAVE THERMAL BLOCKS ON THE ROOF.
- THIS BUILDING DOES NOT HAVE WAINSCOT PANELS.
- THIS BUILDING HAS A SEALED ROOF. MASTIC IS USED TO SEAL THE SHEET SIDELAPS. (SEE DETAIL FOR SIZE) STITCH SCREWS ARE SPACED 15" O/C. THE EAVE IS ALSO SEALED WITH 3/32" x 1 1/2" MASTIC. THE EAVE SCREWS ARE SPACED 3 PER FOOT.
- THIS BUILDING HAS UNSEALED WALLS. NO MASTIC IS USED AT THE SHEET SIDELAPS. STITCH SCREWS ARE SPACED 1 AT THE GIRT AND 1 BETWEEN THE GIRTS. NO CLOSURES ARE USED AT THE TOP OR BASE OF THE PANELS. SCREWS AT THE TOP AND BASE ARE SPACED 2 PER FOOT. (1 PER FOOT MSP) SCREWS AT INTERMEDIATE GIRTS ARE SPACED 1 PER FOOT.

REV.	DESCRIPTION	DET.	DATE	CHK.	DATE

DRAWN WKB	DATE 10-21-02	<p><b>Ceco Building Systems</b> a Robertson Ceco company</p>	EASTERN REGION P.O. DRAWER 2387 ROCKY MOUNT, NC 27802-2387 (252) 977-2131	JOB NO. 10-B-45725-1
CHECKED WKB	DATE 10-21-02		CUSTOMER CLARK O YODER INC 521 GLADE CITY ROAD MEYERSDALE, PA 15552 ATTN: CLARK YODER	SHIP TO ACTION MINING TIPTON HILL ROAD BOYNTON, PA 15532
ENGINEER Jms	DATE 10/21/02	SCALE "N15"		



**GENERAL NOTES**

THIS PLAN IS FOR ANCHOR BOLT SETTING ONLY.  
 ELEVATION AT FINISHED FLOOR = 100'-0  
 ELEVATION AT BOTTOM OF BASE PLATE = 100'-0

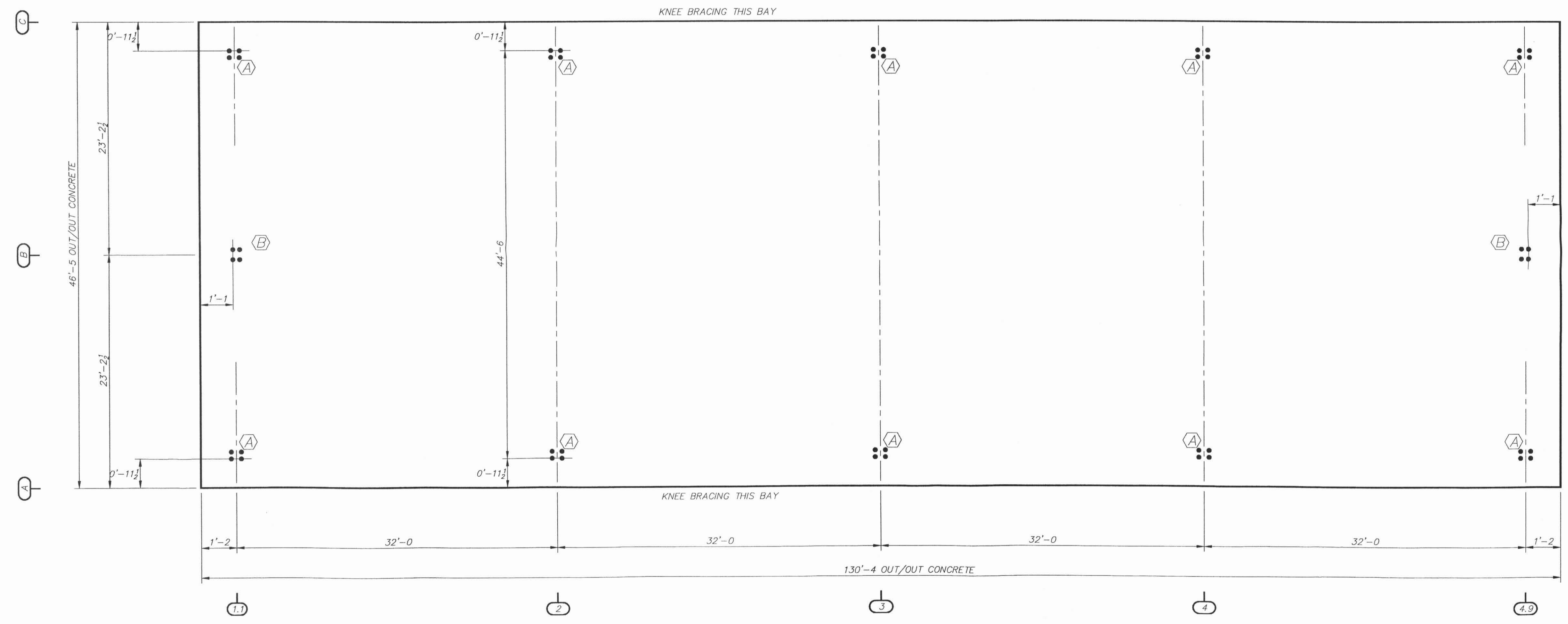
CECO INDICATES BASE PLATE SIZES ON THIS DRAWING. PIER AND GRADE SIZES ARE THE RESPONSIBILITY OF THE CUSTOMER.

ALL TACK WELDS ARE PROHIBITED EXCEPT WHERE ITS FLUX IS REMOVED AND THE TACK WELD BECOMES INCLUDED IN A MAIN QUALIFYING "AWS" WELD.

ALL ANCHOR BOLT PROJECTIONS SHOWN ON THIS PLAN ARE FROM BOTTOM OF BASE PLATE.

THE ANCHOR BOLTS ARE TO BE DESIGNED FOR SHEAR AND/OR TENSION IN ACCORDANCE WITH THE 9TH EDITION OF A.I.S.C. SPECIFICATION. THE ABILITY OF THE CONCRETE TO DEVELOP THE CAPACITY OF THE BOLTS DEPENDS ON THE SIZE AND SHAPE OF THE PIER, THE STRENGTH OF THE CONCRETE AND THE LOCATION OF THE BOLTS. IF THE CONCRETE IS INSUFFICIENT TO DEVELOP THE BOLT CAPACITY BY ITSELF, SUFFICIENT REINFORCEMENT MUST BE ADDED. IT IS THE RESPONSIBILITY OF THE FOUNDATION ENGINEER TO DETERMINE THE ADEQUACY OF THE CONCRETE AND PROPER REINFORCEMENT. CECO BUILDING SYSTEMS IS NOT RESPONSIBLE FOR FOUNDATION DESIGN.

WHEN LOCATING AND SETTING ANCHOR BOLTS, ALWAYS REFER TO THE LARGE SCALE DETAILS FOR DIMENSIONS AND ORIENTATION. THIS IS MOST IMPORTANT ON 4 BOLT PATTERNS WHICH CAN EASILY BE ROTATED 90 DEGREES FROM THEIR CORRECT POSITIONS.



**Preliminary Drawing**  
 NOT TO BE USED FOR CONSTRUCTION

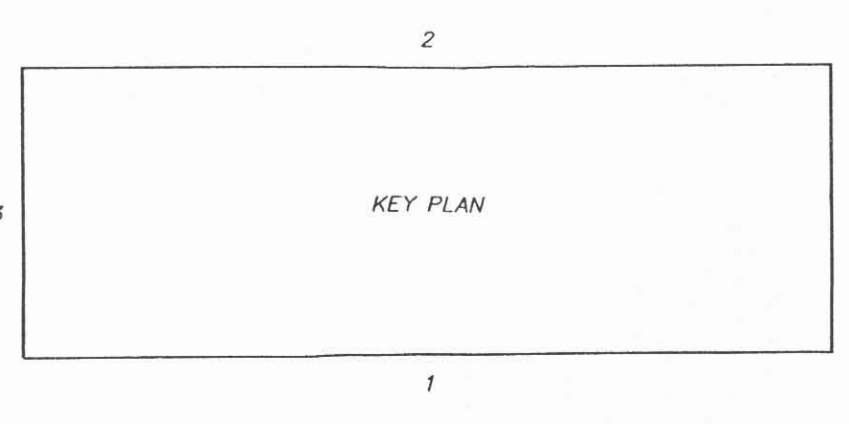
**APPROVAL DRAWINGS**  
 MARK ONE BOX, SIGN & DATE BELOW.

APPROVED (NO CHANGES)  
 APPROVED (AS NOTED)  
 RESUBMIT (W/ CHANGES)

Signed \_\_\_\_\_ Date \_\_\_\_\_

APPROVAL ORDERS MUST BE RELEASED FOR FABRICATION WITHIN THIRTY (30) DAYS AFTER THE SUBMITTAL DRAWINGS ARE ISSUED, OR THEY WILL BE SUBJECT TO ANY CURRENT PRICE INCREASES.  
 DRAWINGS ISSUED DATE: **OCT 21 2002**

ANCHOR BOLT SETTING PLAN



ANCHOR BOLTS TO BE DESIGNED BY FOUNDATION ENGINEER USING DIAMETERS SHOWN IN THIS TABLE.

ANCHOR BOLT DESCRIPTION	QUANTITY
3/4" DIAMETER X	48

REV.	DESCRIPTION	DET.	DATE	CHK.	DATE



DRAWN	DATE
WKB	10-18-02
CHECKED	DATE
WKB	10-18-02
ENGINEER	DATE
Jms	10/21/02
SCALE	"N"TS"

**Ceco Building Systems**  
 a Robertson Ceco company

EASTERN REGION  
 P.O. DRAWER 2387  
 ROCKY MOUNT, NC 27802-2387  
 (252) 977-2131

CUSTOMER:  
 CLARK O YODER INC  
 521 GLADE CITY ROAD  
 MEYERSDALE, PA 15552  
 ATTN: CLARK YODER

SHIP TO:  
 ACTION MINING  
 TIPTON HILL ROAD  
 BOYNTON, PA 15532

JOB NO.  
 10-B-45725-1

MEMBER

**MBMA**

REV. NO. SHEET NO.  
 B1 of 1